

IMM.M.M.

G III

Адаптеры ORFS

G

IMMHyPress
IMM Group

● ● ● ● ● ● **Адаптеры ORFS**

Страница / Page		3		4		4									
ORFS Nut		6010 ORFS Nut		ORFS Sleeve		6020 Braze Sleeve									
Страница / Page		5		6		6									
ORFS male		6000 Union ORFS			6300 90° Elbow Union ORFS			6350 Union Tee ORFS							
Страница / Page		7		8		8		9		9		10			
ORFS Swivel		6056 Reducing F ORFS x M ORFS			6055 Swivel Nut Female F ORFS x M ORFS			6205 Swivel Nut Elbow F ORFS x M ORFS			6255 Swivel 45° Nut Elbow F ORFS x M ORFS			6620 Swivel Nut Run Tee ORFS	
														6630 Swivel Nut Branch Tee ORFS	
Страница / Page		10		11		11		12		12					
ORFS ORFS bulkhead		6050 Bulkhead Union ORFS			6510 Bulkhead Union Elbow ORFS			6520 Bulkhead 45° Union Elb. ORFS			6500 Run Tee Connector ORFS Bulkhead			6490 Bulkhead Branch Tee ORFS	
Страница / Page		13		13		14		14		15		15			
UNF ORFS		6150 Bulkhead Connector M UNF x M ORFS			6100 Male Connector M UNF x M ORFS			6120 Swivel Nut female F ORFS x M UNF			6200 90° Elbow Connector UNF Orientable			6950 Long Adjustable Elbow M ORFS x M UNF	
														6250 45° Elbow Connector UNF Orientable	
Страница / Page		16		16		17		17		17					
UNF ORFS		6400 Branch Tee Connector UNF Orientable			6450 Run Tee Connector UNF Orientable		ORFS BSPT		6820 Male Connector M ORFS x M BSPT		ORFS NPTF		6830 Male Connector M ORFS x M NPTF		

Dimensions and general characteristics may be changed at any time without prior notice.

Data contained herein are for information purpose only, and it does not enlarge, amend or imply any warranty other than provided by us with the product
Any use of the product not in conformance with our instructions may be dangerous.

Адаптеры ORFS

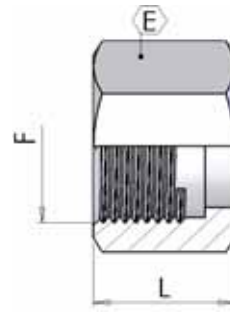
Страница / Page	18	19	19	20	21	22
ORFS BSP						
	6036 Swivel Nut Female F ORFS x M BSP or (ED)	6800 Male Connector M ORFS x M BSP or	6810 Male Connector M ORFS x M BSP	6215 Adjustable Elbow M BSP x M ORFS	6260 Adjustable 45° Elbow M ORFS x M BSP	6340 Adj. Elb. with swivel nut M ORFS x M BSP
Страница / Page	22	23				24
ORFS BSP				ORFS JIC		
	6460 Adjustable Run Tee ORFS - ORFS - BSP	6410 Adjustable Branch Tee ORFS - BSP - ORFS				6125 Swivel Nut Female F ORFS x M JIC
Страница / Page	24	25		25	26	26
ORFS METRIC						
	6900 Male Connector M ORFS x M Metric	6920 Long Male Connector M ORFS x M Metric		6320 Adjustable Elbow M ORFS x M Metric	6940 Long Adjustable Elbow M ORFS x M Metric	6270 Adjustable 45° Elbow M ORFS x M Metric
Страница / Page	27	27	28		29	29
ORFS METRIC				ORFS Plug		
	6420 Adjustable Branch Tee ORFS - Metric - ORFS	6470 Adjustable Run Tee ORFS - ORFS - Metric	6840 Male Connector ORFS Metric (ISO 6149-2)		6600 ORFS Male Plug	6610 ORFS Female Plug

Dimensions and general characteristics may be changed at any time without prior notice.

Data contained herein are for information purpose only, and it does not enlarge, amend or imply any warranty other than provided by us with the product
Any use of the product not in conformance with our instructions may be dangerous.

6010 Гайка ORFS

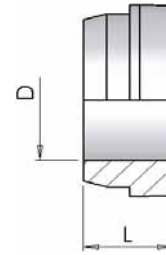
ORFS nut



part number	Ø tube		Dimensions		
	mm	inch	F	L	E
6010-06	6	1/4"	9/16 - 18	15,0	19
6010-09	8-10	5/16"-3/8"	11/16 - 16	17,0	22
6010-11	12	1/2"	13/16 - 16	20,0	24
6010-13	14-16	5/8"	1 - 14	24,0	30
6010-14	18-20	3/4"	1.3/16 - 12	26,5	36
6010-15	25	1"	1.7/16 - 12	27,5	41
6010-21	30-32	1.1/4"	1.11/16 - 12	27,5	50
6010-32	38	1.1/2"	2 - 12	27,5	60

6015 Кольцо метрическое

Metric sleeve



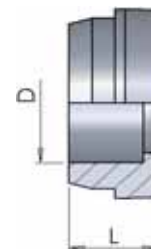
part number	Ø tube	Dimensions		
	mm	L	D	
6015-06	06	7,5	06	
6015-08	08	8,5	08	
6015-10	10	8,4	10	
6015-12	12	10,7	12	
6015-14	14	10,5	14	
6015-15	15	10,6	15	
6015-16	16	10,6	16	
6015-18	18	14	18	
6015-20	20	12,1	20	
6015-22	22	13,5	22	
6015-25	25	13,5	25	
6015-28	28	15,5	28	
6015-30	30	13	30	
6015-32	32	13	32	
6015-35	35	15,5	35	
6015-38	38	12,5	38	

6020 Опорная головка

Shoulder

гальваническое покрытие:
surface treatment:

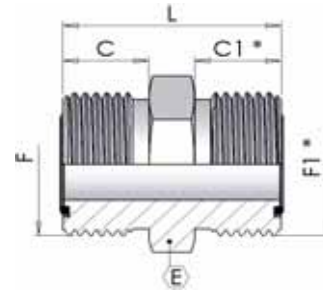
без оцинковки
without zinc plating



part number	Ø tube	Dimensions		
	mm	L	D	
6020-06	06	9,5	06	
6020-08	08	9,5	08	
6020-10	10	9,5	10	
6020-12	12	9,5	12	
6020-14	14	10,5	14	
6020-15	15	10,5	15	
6020-16	16	10,5	16	
6020-18	18	14	18	
6020-20	20	14	20	
6020-22	22	15,5	22	
6020-25	25	15,5	25	
6020-28	28	15,5	28	
6020-30	30	15,5	30	
6020-32	32	15,5	32	
6020-35	35	15,5	35	
6020-38	38	15,5	38	

6000 **Коннектор наружная резьба**

Male connector



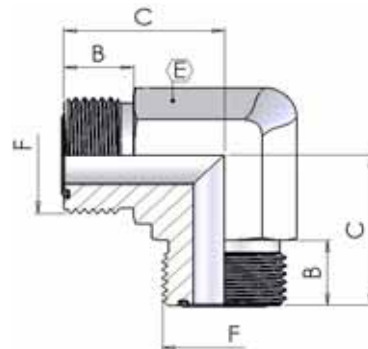
* - F1 и C1 относятся только к переходным размерам

* - F1 and C1 are for jump size only

part number	Ø tube		Dimensions					
	mm	inch	F	F1	L	C	C1	E
6000-06	6	1/4"	9/16 - 18	-	27	10	-	17
6000-09	8-10	5/16"-3/8"	11/16 - 16	-	31	11	-	19
6000-11	12	1/2"	13/16 - 16	-	35	13	-	22
6000-11-09	8-10-12	5/16 to 1/2	13/16 - 16	11/16 - 16	34	13	11	22
6000-13	14-16	5/8"	1 - 14	-	43	16	-	27
6000-13-11	12-14-16	5/8"-1/2"	1 - 14	13/16 - 16	40	16	13	27
6000-14	18-20	3/4"	1.3/16 - 12	-	47	17	-	32
6000-14-13	14-16-18-20	5/8"-3/4"	1.3/16 - 12	1 - 14	46	17	16	32
6000-15	25	1"	1.7/16 - 12	-	49	18	-	38
6000-15-14	18-20-25	3/4"-1"	1.7/16 - 12	1.3/16 - 12	49	18	17	38
6000-21	30-32	1.1/4"	1.11/16 - 12	-	51	18	-	46
6000-32	38	1.1/2"	2 - 12	-	53	18	-	55

6300 **Коннектор 90°**

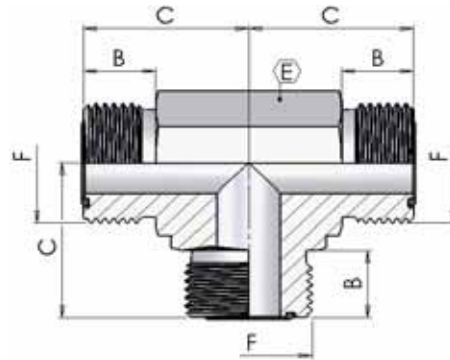
90° Elbow Union



part number	Ø tube		Dimensions			
	mm	inch	F	C	B	E
6300-06	6	1/4"	9/16 - 18	22	9	14
6300-09	8-10	5/16"-3/8"	11/16 - 16	25	10	19
6300-11	12	1/2"	13/16 - 16	28	12	19
6300-13	14-16	5/8"	1 - 14	33	14	27
6300-14	18-20	3/4"	1.3/16 - 12	37	15	30
6300-15	25	1"	1.7/16 - 12	38	18	32
6300-21	30-32	1.1/4"	1.11/16 - 12	45	18	41
6300-32	38	1.1/2"	2 - 12	49	18	48

6350 Тройник

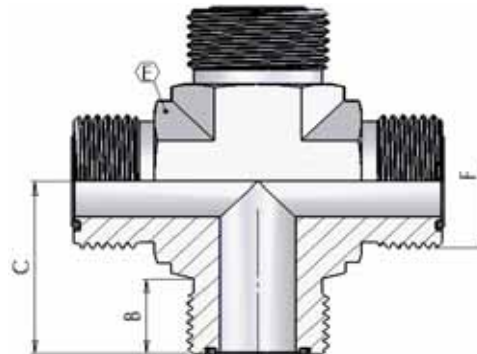
Union Tee



part number	Ø tube		Dimensions			
	mm	inch	F	C	B	E
6350-06	6	1/4"	9/16 - 18	22	10	14
6350-09	8-10	5/16"-3/8"	11/16 - 16	25	11	19
6350-11	12	1/2"	13/16 - 16	28	13	19
6350-13	14-16	5/8"	1 - 14	34	16	27
6350-14	18-20	3/4"	1.3/16 - 12	38	17	33
6350-15	25	1"	1.7/16 - 12	42	18	41
6350-21	30-32	1.1/4"	1.11/16 - 12	45	18	41
6350-32	38	1.1/2"	2 - 12	49	18	48

6550 X-образный коннектор

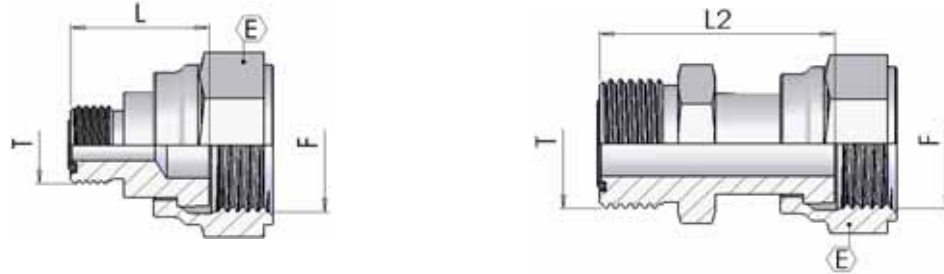
Cross Union



part number	Ø tube		Dimensions			
	mm	inch	F	C	B	E
6550-06	6	1/4"	9/16 - 18	22	10	14
6550-09	8-10	5/16"-3/8"	11/16 - 16	25	11	19
6550-11	12	1/2"	13/16 - 16	28	13	19
6550-13	14-16	5/8"	1 - 14	33	16	27
6550-14	18-20	3/4"	1.3/16 - 12	37	17	30
6550-15	25	1"	1.7/16 - 12	42	18	37
6550-21	30-32	1.1/4"	1.11/16 - 12	45	18	41
6550-32	38	1.1/2"	2 - 12	49	18	48

6056 Редукционный коннектор ORFS

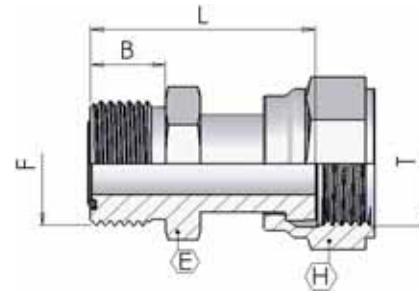
Reducing male - female ORFS



part number	Ø tube		Dimensions					
	mm	inch	F	T	L	L2	E	
6056-09-06	10-06	3/8"-1/4"	11/16""-16	9/16""-18	-	20	22	
6056-11-06	12-06	1/2"-1/4"	13/16""-16	9/16""-18	22	-	24	
6056-11-09	12-10	1/2"-3/8"	13/16""-16	11/16""-16	-	23	24	
6056-13-06	16-06	5/8"-1/4"	1"-14	9/16""-18	23	-	30	
6056-13-09	16-08	5/8"-5/16"	1"-14	11/16""-16	24	-	30	
6056-13-11	16-12	5/8"-1/2"	1"-14	13/16""-16	26	-	30	
6056-14-06	20-06	3/4"-1/4"	1.3/16""-12	9/16""-18	25	-	36	
6056-14-09	20-08	3/4"-5/16"	1.3/16""-12	11/16""-16	26	-	36	
6056-14-11	20-12	3/4"-1/2"	1.3/16""-12	13/16""-12	28	-	36	
6056-14-13	20-16	3/4"-5/8"	1.3/16""-12	1"-14	-	30	36	
6056-15-11	25-12	1"-1/2"	1.7/16""-12	13/16""-12	29	-	41	
6056-15-13	25-16	1"-5/8"	1.7/16""-12	1"-14	32	-	41	
6056-15-14	25-20	1"-3/4"	1.7/16""-12	1.3/16""-12	-	33	41	
6056-21-14	32-20	1"1/4"-3/4"	1.11/16""-12	1.3/16""-12	34	-	50	
6056-21-15	32-25	1-1"1/4"	1.11/16""-12	1.7/16""-12	-	39	50	
6056-32-15	38-25	1"1/2"-1"	2"-12	1.7/16""-12	34	-	60	
6056-32-21	38-32	1"1/2"-1"1/4"	2"-12	1.11/16""-12	34	-	60	

6055 **Коннектор ORFS**

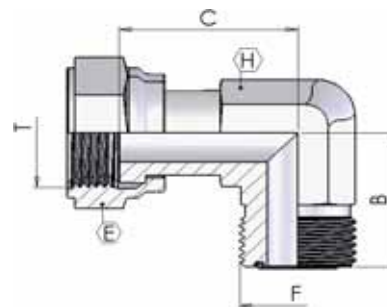
Swivel Union M/F ORFS



part number	Ø tube		Dimensions					
	mm	inch	F	T	B	L	E	
6055-06	6	1/4"	9/16"-18	9/16"-18	10	27	17	
6055-09	8-10	5/16"-3/8"	11/16"-16	11/16"-16	11	33	19	
6055-11	12	1/2"	13/16"-16	13/16"-16	13	36	22	
6055-13	14-16	5/8"	1"-14	1"-14	16	43	27	
6055-14	18-20	3/4"	1.3/16"-12	1.3/16"-12	17	43	32	
6055-15	25	1"	1.7/16"-12	1.7/16"-12	18	47	38	
6055-21	30-32	1.1/4"	1.11/16"-12	1.11/16"-12	18	48	46	
6055-32	38	1.1/2"	2"-12	2"-12	18	49	55	

6205 **Коннектор 90° ORFS**

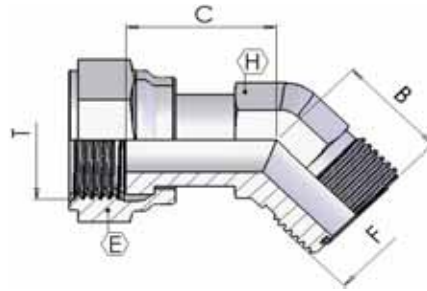
Swivel Nut Elbow M/F ORFS



part number	Ø tube		Dimensions						
	mm	inch	F	T	B	C	H	E	
6205-06	6	1/4"	9/16"-18	9/16"-18	22	27	14	19	
6205-09	8-10	5/16"-3/8"	11/16"-16	11/16"-16	25	29	19	22	
6205-11	12	1/2"	13/16"-16	13/16"-16	28	38	19	24	
6205-13	14-16	5/8"	1"-14	1"-14	34	41	27	30	
6205-14	18-20	3/4"	1.3/16"-12	1.3/16"-12	38	47	30	36	
6205-15	25	1"	1.7/16"-12	1.7/16"-12	42	54	37	41	
6205-21	30-32	1.1/4"	1.11/16"-12	1.11/16"-12	45	58	41	50	
6205-32	38	1.1/2"	2"-12	2"-12	49	61	48	60	

6255 Коннектор 45° ORFS

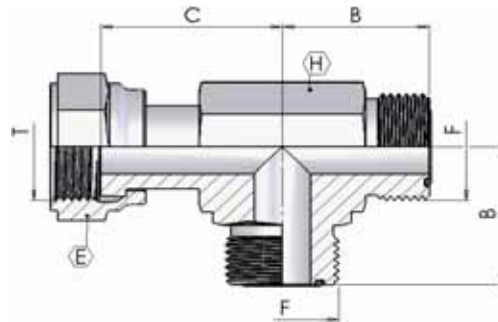
Swivel 45° Nut Elbow M/F ORFS



part number	Ø tube		Dimensions					
	mm	inch	F	T	B	C	H	E
6255-06	6	1/4"	9/16"-18	9/16"-18	16	22	14	19
6255-09	8-10	5/16"-3/8"	11/16"-16	11/16"-16	19	27	19	22
6255-11	12	1/2"	13/16"-16	13/16"-16	21	31	19	24
6255-13	14-16	5/8"	1"-14	1"-14	24	37	27	30
6255-14	18-20	3/4"	1.3/16"-12	1.3/16"-12	26	42	30	36
6255-15	25	1"	1.7/16"-12	1.7/16"-12	30	47	37	41
6255-21	30-32	1.1/4"	1.11/16"-12	1.11/16"-12	32	47	41	50
6255-32	38	1.1/2"	2"-12	2"-12	37	49	48	60

6620 Тройник боковая гайка

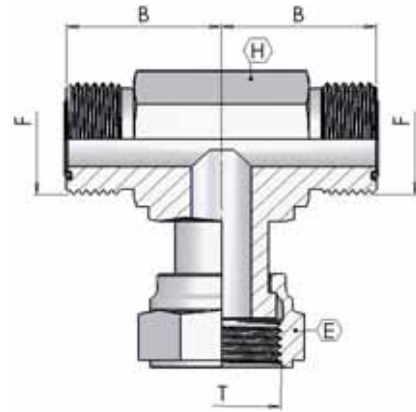
Female run tee



part number	Ø tube		Dimensions					
	mm	inch	F	T	B	C	H	E
6620-06	6	1/4"	9/16"-18	9/16"-18	22	27	14	19
6620-09	8-10	5/16"-3/8"	11/16"-16	11/16"-16	25	29	19	22
6620-11	12	1/2"	13/16"-16	13/16"-16	28	38	19	24
6620-13	14-16	5/8"	1"-14	1"-14	34	41	27	30
6620-14	18-20	3/4"	1.3/16"-12	1.3/16"-12	38	47	30	36
6620-15	25	1"	1.7/16"-12	1.7/16"-12	42	54	37	41
6620-21	30-32	1.1/4"	1.11/16"-12	1.11/16"-12	45	58	41	50
6620-32	38	1.1/2"	2"-12	2"-12	49	61	48	60

6630 Тройник нижняя гайка

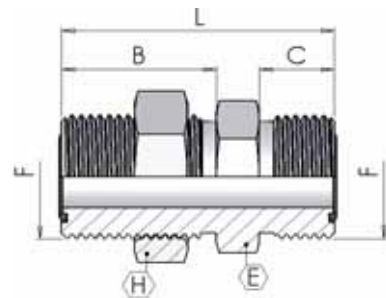
Female branch tee



part number	Ø tube		Dimensions					
	mm	inch	F	T	B	C	H	E
6630-06	6	1/4"	9/16"-18	9/16"-18	22	27	14	19
6630-09	8-10	5/16"-3/8"	11/16"-16	11/16"-16	25	29	19	22
6630-11	12	1/2"	13/16"-16	13/16"-16	28	38	19	24
6630-13	14-16	5/8"	1"-14	1"-14	34	41	27	30
6630-14	18-20	3/4"	1.3/16"-12	1.3/16"-12	38	47	30	36
6630-15	25	1"	1.7/16"-12	1.7/16"-12	42	54	37	41
6630-21	30-32	1.1/4"	1.11/16"-12	1.11/16"-12	45	58	41	50
6630-32	38	1.1/2"	2"-12	2"-12	49	61	48	60

6050 Контргайка

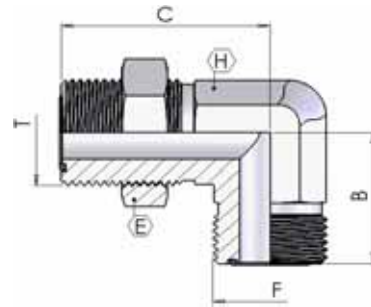
Bulkhead



part number	Dimensions					
	F	C	L	B	E	H
6050-06	9/16 - 18	10	48	32	17	22
6050-09	11/16 - 16	11	53	34	19	27
6050-11	13/16 - 16	13	58	37	22	30
6050-13	1 - 14	16	67	41	27	36
6050-14	1.3/16 - 12	17	69	42	32	41
6050-15	1.7/16 - 12	18	70	42	38	46
6050-21	1.11/16 - 12	18	70	42	46	50
6050-32	2 - 12	18	70	42	55	60

6510 Переборочный адаптер 90°

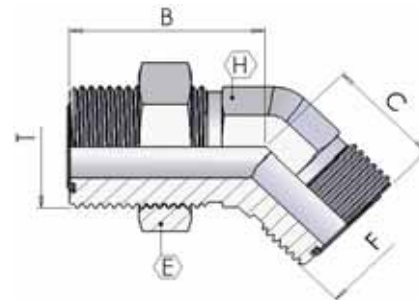
Bulkhead 90° Elbow Union



part number	Ø tube		Dimensions					
	mm	inch	F	T	B	C	E	H
6510-06	6	1/4"	9/16"-18	9/16"-18	23	47	22	14
6510-09	8-10	5/16"-3/8"	11/16"-16	11/16"-16	26	52	27	19
6510-11	12	1/2"	13/16"-16	13/16"-16	29	56	30	19
6510-13	14-16	5/8"	1"-14	1"-14	35	63	36	27
6510-14	18-20	3/4"	1.3/16"-12	1.3/16"-12	39	67	41	30
6510-15	25	1"	1.7/16"-12	1.7/16"-12	43	71	46	37
6510-21	30-32	1.1/4"	1.11/16"-12	1.11/16"-12	46	76	50	41
6510-32	38	1.1/2"	2"-12	2"-12	50	80	60	48

6520 Переборочный адаптер 45°

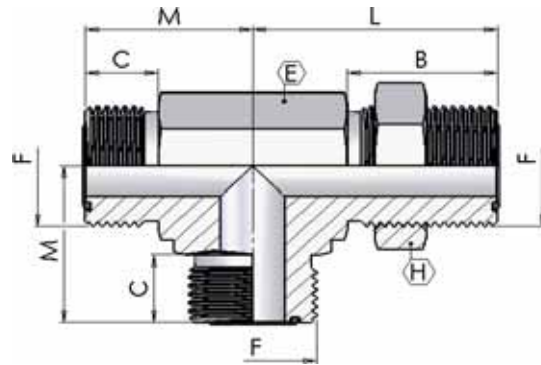
Bulkhead 45° Elbow Union



part number	Ø tube		Dimensions					
	mm	inch	F	T	B	C	E	H
6520-06	6	1/4"	9/16"-18	9/16"-18	47	23	22	14
6520-09	8-10	5/16"-3/8"	11/16"-16	11/16"-16	52	26	27	19
6520-11	12	1/2"	13/16"-16	13/16"-16	56	29	30	19
6520-13	14-16	5/8"	1"-14	1"-14	63	35	36	27
6520-14	18-20	3/4"	1.3/16"-12	1.3/16"-12	67	39	41	30
6520-15	25	1"	1.7/16"-12	1.7/16"-12	71	43	46	37
6520-21	30-32	1.1/4"	1.11/16"-12	1.11/16"-12	76	46	50	41
6520-32	38	1.1/2"	2"-12	2"-12	80	50	60	48

6500 **Тройник переборочный боковое подсоединение**

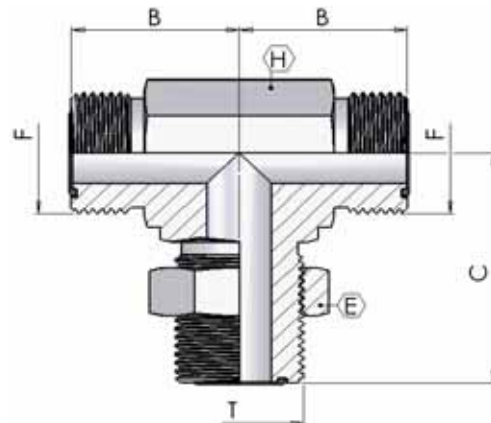
Bulkhead male run tee



part number	Ø tube		Dimensions						
	mm	inch	F	C	L	B	M	H	E
6500-06	6	1/4"	9/16 - 18	10	47	32	22	22	14
6500-09	8-10	5/16"-3/8"	11/16 - 16	11	52	34	25	27	19
6500-11	12	1/2"	13/16 - 16	13	55	37	28	30	19
6500-13	14-16	5/8"	1 - 14	16	63	41	33	36	27
6500-14	18-20	3/4"	1.3/16 - 12	17	67	42	37	41	30
6500-15	25	1"	1.7/16 - 12	18	71	42	42	46	37
6500-21	30-32	1.1/4"	1.11/16 - 12	18	75	42	45	50	41
6500-32	38	1.1/2"	2 - 12	18	80	42	49	60	48

6490 **Тройник переборочный нижнее подсоединение**

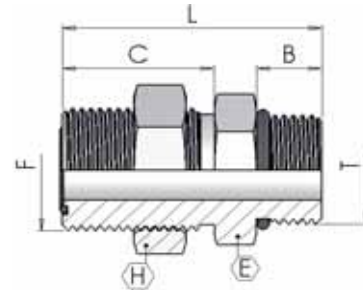
Bulkhead male Branch tee



part number	Ø tube		Dimensions					
	mm	inch	F	T	B	C	E	H
6490-06	6	1/4"	9/16"-18	9/16"-18	23	47	22	14
6490-09	8-10	5/16"-3/8"	11/16"-16	11/16"-16	26	52	27	19
6490-11	12	1/2"	13/16"-16	13/16"-16	29	56	30	19
6490-13	14-16	5/8"	1"-14	1"-14	35	63	36	27
6490-14	18-20	3/4"	1.3/16"-12	1.3/16"-12	39	67	41	30
6490-15	25	1"	1.7/16"-12	1.7/16"-12	43	71	46	37
6490-21	30-32	1.1/4"	1.11/16"-12	1.11/16"-12	46	76	50	41
6490-32	38	1.1/2"	2"-12	2"-12	50	80	60	48

6150 Переборочный коннектор UNF X ORFS

Straight bulkhead UNF male X ORFS male



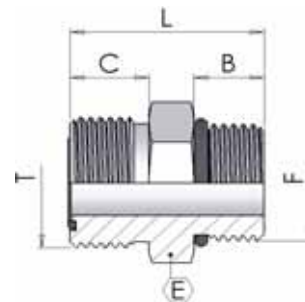
Резьба / Thread:

UNF/UN (ISO 11926-1)

part number	Ø tube		Dimensions						
	mm	inch	T	F	C	L	B	E	H
6150-04-06	6	1/4"	7/16 - 20	9/16 - 18	32	49	11	17	22
6150-06-09	8-10	5/16"-3/8"	9/16 - 18	11/16 - 16	34	54	12	19	27
6150-08-11	12	1/2"	3/4 - 16	13/16 - 16	37	60	14	22	30
6150-10-13	14-16	5/8"	7/8 - 14	1 - 14	41	67	16	27	36
6150-12-14	18-20	3/4"	1.1/16 - 12	1.3/16 - 12	42	71	19	32	41
6150-16-15	25	1"	1.5/16 - 12	1.7/16 - 12	42	71	19	38	46
6150-20-21	30-32	1.1/4"	1.5/8 - 12	1.11/16 - 12	42	71	19	46	50
6150-24-32	38	1.1/2"	1.7/8 - 12	2 - 12	42	71	19	55	60

6100 Коннектор UNF X ORFS

UNF male X ORFS male connector



Резьба / Thread:

UNF/UN (ISO 11926-1)

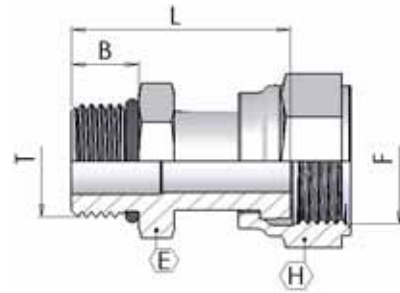
part number	Ø tube		Dimensions						
	mm	inch	F	T	C	L	B	E	
6100-04-06	6	1/4"	7/16 - 20	9/16 - 18	10	29	11	17	
6100-06-06	8-10	5/16"-3/8"	9/16 - 18	9/16 - 18	10	31	12	19	
6100-06-09	8-10	5/16"-3/8"	9/16 - 18	11/16 - 16	11	32	12	19	
6100-08-11	12	1/2"	3/4 - 16	13/16 - 16	13	37	14	22	
6100-10-09	8-10	5/16"-3/8"	7/8 - 14	11/16 - 16	11	39	16	27	
6100-10-13	14-16	5/8"	7/8 - 14	1 - 14	16	43	16	27	
6100-10-14	18-20	3/4"	7/8 - 14	1.3/16 - 12	17	51	13	32	
6100-12-14	18-20	3/4"	1.1/16 - 12	1.3/16 - 12	17	49	19	32	
6100-12-15	25	1"	1.1/16 - 12	1.7/16 - 12	18	54	19	38	
6100-16-14	18-20	3/4"	1.5/16 - 12	1.3/16 - 12	17	50	19	38	
6100-16-15	25	1"	1.5/16 - 12	1.7/16 - 12	18	50	19	38	
6100-20-15	25	1"	1.5/8 - 12	1.7/16 - 12	18	52	19	46	
6100-20-21	30-32	1.1/4"	1.5/8 - 12	1.11/16 - 12	18	52	19	46	
6100-24-32	38	1.1/2"	1.7/8 - 12	2 - 12	18	54	19	55	

6120 Вращающийся коннектор ORFS/UNF

Swivel Nut Female ORFS/UNF

Резьба / Thread:

UNF/UN (ISO 11926-1)



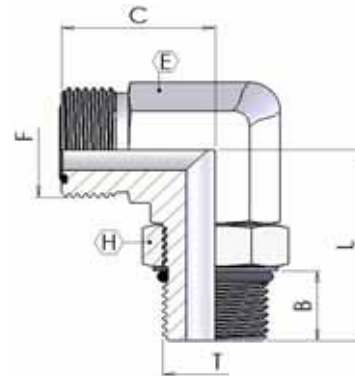
part number	Ø tube		Dimensions						
	mm	inch	F	T	B	L	E	H	
6120-04-06	6	1/4"	9/16"-18	7/16-20	11	38	16	19	
6120-04-09	8-10	5/16"-3/8"	11/16"-16	7/16-20	11	-	19	22	
6120-06-09	8-10	5/16"-3/8"	11/16"-16	9/16-18	12	41	19	22	
6120-08-09	8-10	5/16"-3/8"	11/16"-16	3/4-16	14	-	22	22	
6120-08-11	12	1/2"	13/16"-16	3/4-16	14	50	22	24	
6120-08-13	14-16	5/8"	1"-14	3/4-16	14	-	27	30	
6120-10-11	12	1/2"	13/16"-16	7/8-14	16	-	27	24	
6120-10-13	14-16	5/8"	1"-14	7/8-14	16	54	27	30	
6120-10-14	18-20	3/4"	1.3/16"-12	7/8-14	16	-	32	36	
6120-12-13	14-16	5/8"	1"-14	1.1/16-12	19	-	32	30	
6120-12-14	18-20	3/4"	1.3/16"-12	1.1/16-12	19	60	32	36	
6120-16-14	18-20	3/4"	1.3/16"-12	1.5/16-12	19	-	38	36	
6120-16-15	25	1"	1.7/16"-12	1.5/16-12	19	68	38	41	
6120-20-21	30-32	1.1/4"	1.11/16"-12	1.5/8-12	19	68	50	50	
6120-24-32	38	1.1/2"	2"-12	1.7/8-12	19	68	55	60	

6200 Регулируемый коннектор 90° ORFS/UNF

90° elbow "adjustable" connector ORFS male X
UNF male

Резьба / Thread:

UNF/UN (ISO 11926-1)

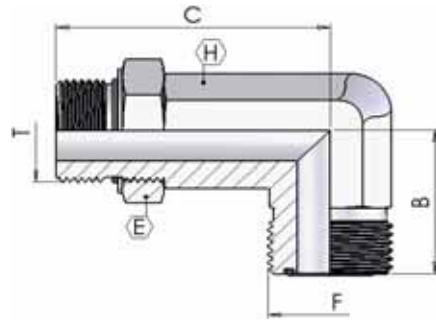


part number	Ø tube		Dimensions							
	mm	inch	T	F	C	L	B	H	E	
6200-04-06	6	1/4"	7/16 - 20	9/16 - 18	22	33	11	17	14	
6200-06-06	6	1/4"	9/16 - 18	9/16 - 18	23	37	12	17	19	
6200-06-09	8-10	5/16"-3/8"	9/16 - 18	11/16 - 16	25	37	12	19	19	
6200-08-11	12	1/2"	3/4 - 16	13/16 - 16	28	41	14	22	19	
6200-10-13	14-16	5/8"	7/8 - 14	1 - 14	33	50	16	27	27	
6200-12-14	18-20	3/4"	1.1/16 - 12	1.3/16 - 12	37	55	19	32	30	
6200-16-15	25	1"	1.5/16 - 12	1.7/16 - 12	42	60	19	38	37	
6200-20-21	30-32	1.1/4"	1.5/8 - 12	1.11/16 - 12	45	62	19	46	41	
6200-24-32	38	1.1/2"	1.7/8 - 12	2 - 12	49	66	19	55	48	

6950 Регулируемый коннектор 90° ORFS/UNF, удлиненный

Long Adjustable Elbow ORFS/UNF

Резьба / Thread:
UNF/UN (ISO 11926-1)

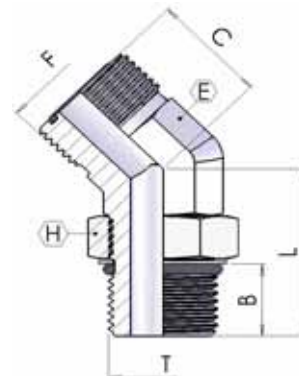


part number	Ø tube		Dimensions					
	mm	inch	F	T	B	C	E	H
6950-04-06	6	1/4"	9/16"-18	7/16-20	22	57	16	14
6950-04-09	8-10	5/16"-3/8"	11/16"-16	7/16-20	25	-	16	19
6950-06-09	8-10	5/16"-3/8"	11/16"-16	9/16-18	25	67	19	19
6950-08-09	8-10	5/16"-3/8"	11/16"-16	3/4-16	27	75	24	19
6950-08-11	12	1/2"	13/16"-16	3/4-16	28	75	24	19
6950-08-13	14-16	5/8"	1"-14	3/4-16	34	-	24	27
6950-10-11	12	1/2"	13/16"-16	7/8-14	31	89	27	27
6950-10-13	14-16	5/8"	1"-14	7/8-14	34	89	27	27
6950-10-14	18-20	3/4"	1.3/16"-12	7/8-14	-	-	27	30
6950-12-13	14-16	5/8"	1"-14	1.1/16-12	36	101	36	30
6950-12-14	18-20	3/4"	1.3/16"-12	1.1/16-12	38	101	36	30
6950-16-14	18-20	3/4"	1.3/16"-12	1.5/16-12	41	115	41	37
6950-16-15	25	1"	1.7/16"-12	1.5/16-12	42	115	41	37
6950-20-21	30-32	1.1/4"	1.11/16"-12	1.5/8-12	45	127	50	41
6950-24-32	38	1.1/2"	2"-12	1.7/8-12	49	139	55	48

6250 Регулируемый коннектор 45° ORFS/UNF

45° elbow "adjustable" connector ORFS male X
UNF male

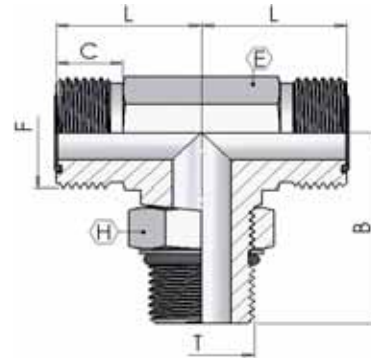
Резьба / Thread:
UNF/UN (ISO 11926-1)



part number	Ø tube		Dimensions						
	mm	inch	T	F	C	L	B	H	E
6250-04-06	6	1/4"	7/16 - 20	9/16 - 18	16	30	10	17	14
6250-06-09	8-10	5/16"-3/8"	9/16 - 18	11/16 - 16	19	33	12	19	19
6250-08-11	12	1/2"	3/4 - 16	13/16 - 16	20	36	13	22	19
6250-10-13	14-16	5/8"	7/8 - 14	1 - 14	23	45	14	27	27
6250-12-14	18-20	3/4"	1.1/16 - 12	1.3/16 - 12	26	50	17	32	30
6250-16-15	25	1"	1.5/16 - 12	1.7/16 - 12	30	52	17	38	37
6250-20-21	30-32	1.1/4"	1.5/8 - 12	1.11/16 - 12	32	54	17	46	41
6250-24-32	38	1.1/2"	1.7/8 - 12	2 - 12	37	54	17	55	48

6400 **Тройник регулируемый UNF**

Adjustable UNF male branch Tee



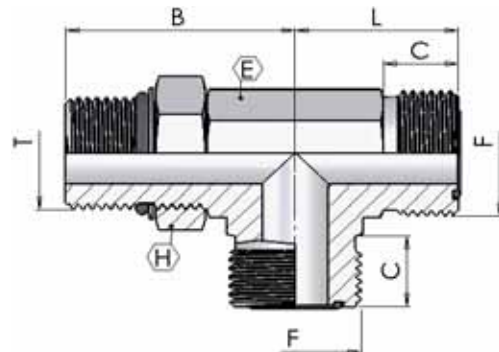
Резьба / Thread:

UNF/UN (ISO 11926-1)

part number	Ø tube		Dimensions						
	mm	inch	T	F	C	L	B	H	E
6400-04-06	6	1/4"	7/16 - 20	9/16 - 18	10	22	33	17	14
6400-06-09	8-10	5/16"-3/8"	9/16 - 18	11/16 - 16	11	25	37	19	19
6400-08-11	12	1/2"	3/4 - 16	13/16 - 16	13	28	41	22	19
6400-10-13	14-16	5/8"	7/8 - 14	1 - 14	16	33	50	27	27
6400-12-14	18-20	3/4"	1.1/16 - 12	1.3/16 - 12	17	37	55	32	30
6400-16-15	25	1"	1.5/16 - 12	1.7/16 - 12	18	42	60	38	37
6400-20-21	30-32	1.1/4"	1.5/8 - 12	1.11/16 - 12	18	45	62	46	41
6400-24-32	38	1.1/2"	1.7/8 - 12	2 - 12	18	49	66	55	48

6450 **Тройник регулируемый UNF**

Adjustable UNF male run Tee



Резьба / Thread:

UNF/UN (ISO 11926-1)

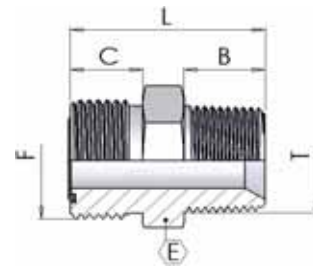
part number	Ø tube		Dimensions						
	mm	inch	T	F	C	L	B	H	E
6450-04-06	6	1/4"	7/16 - 20	9/16 - 18	10	22	33	17	14
6450-06-09	8-10	5/16"-3/8"	9/16 - 18	11/16 - 16	11	25	37	19	19
6450-08-11	12	1/2"	3/4 - 16	13/16 - 16	13	28	41	22	19
6450-10-13	14-16	5/8"	7/8 - 14	1 - 14	16	33	50	27	27
6450-12-14	18-20	3/4"	1.1/16 - 12	1.3/16 - 12	17	37	55	32	30
6450-16-15	25	1"	1.5/16 - 12	1.7/16 - 12	18	42	60	38	37
6450-20-21	30-32	1.1/4"	1.5/8 - 12	1.11/16 - 12	18	45	62	46	41
6450-24-32	38	1.1/2"	1.7/8 - 12	2 - 12	18	49	66	55	48

6820 **Коннектор ORFS/BSPT**

Male Connector ORFS/BSPT

Резьба / Thread:

BSPT (Form C DIN 3852)



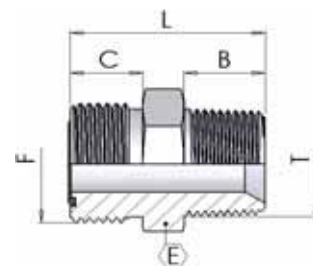
part number	Ø tube		Dimensions					
	mm	inch	F	T	B	C	L	E
6820-02-06	6	1/4"	9/16"-18	1/8	10	10	27	16
6820-04-06	6	1/4"	9/16"-18	1/4	15	10	33	16
6820-04-09	8-10	5/16"-3/8"	11/16"-16	1/4	15	11	34	19
6820-04-11	12	1/2"	13/16"-16	1/4	15	13	36	22
6820-06-09	8-10	5/16"-3/8"	11/16"-16	3/8	15	11	34	19
6820-06-11	12	1/2"	13/16"-16	3/8	15	13	36	22
6820-06-13	14-16	5/8"	1"-14	3/8	15	16	40	27
6820-08-11	12	1/2"	13/16"-16	1/2	19	13	42	22
6820-08-13	14-16	5/8"	1"-14	1/2	19	16	45	27
6820-08-14	18-20	3/4"	1.3/16"-12	1/2	19	17	48	32
6820-12-13	14-16	5/8"	1"-14	3/4	19	16	47	27
6820-12-14	18-20	3/4"	1.3/16"-12	3/4	19	17	48	23
6820-12-15	25	1"	1.7/16"-12	3/4	19	18	49	38
6820-16-14	18-20	3/4"	1.3/16"-12	1	24	17	54	36
6820-16-15	25	1"	1.7/16"-12	1	24	18	54	38
6820-16-21	30-32	1.1/4"	1.11/16"-12	1	24	18	56	46
6820-20-21	30-32	1.1/4"	1.11/16"-12	1.1/4	25	18	56	46
6820-20-32	38	1.1/2"	2"-12	1.1/4	25	18	58	55
6820-24-32	38	1.1/2"	2"-12	1.1/2	25	18	59	55

6830 **Коннектор ORFS/NPTF**

Male Connector ORFS/NPTF

Резьба / Thread:

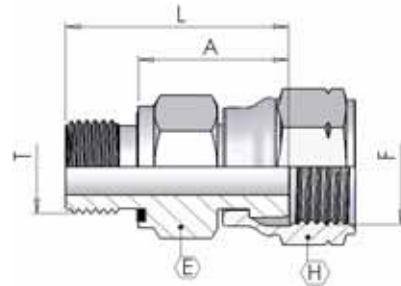
NPT (ANSI/ASME B1.20.1-1983)



part number	Ø tube		Dimensions					
	mm	inch	F	T	B	C	L	E
6830-02-06	6	1/4"	9/16"-18	1/8	10	10	27	16
6830-04-06	6	1/4"	9/16"-18	1/4	15	10	33	16
6830-04-09	8-10	5/16"-3/8"	11/16"-16	1/4	15	11	34	19
6830-04-11	12	1/2"	13/16"-16	1/4	15	13	36	22
6830-06-09	8-10	5/16"-3/8"	11/16"-16	3/8	15	11	34	19
6830-06-11	12	1/2"	13/16"-16	3/8	15	13	36	22
6830-06-13	14-16	5/8"	1"-14	3/8	15	16	40	27
6830-08-11	12	1/2"	13/16"-16	1/2	19	13	42	22
6830-08-13	14-16	5/8"	1"-14	1/2	19	16	45	27
6830-08-14	18-20	3/4"	1.3/16"-12	1/2	19	17	48	32
6830-12-13	14-16	5/8"	1"-14	3/4	19	16	47	27
6830-12-14	18-20	3/4"	1.3/16"-12	3/4	19	17	48	23
6830-12-15	25	1"	1.7/16"-12	3/4	19	18	49	38
6830-16-14	18-20	3/4"	1.3/16"-12	1	24	17	54	36
6830-16-15	25	1"	1.7/16"-12	1	24	18	54	38
6830-16-21	30-32	1.1/4"	1.11/16"-12	1	24	18	56	46
6830-20-21	30-32	1.1/4"	1.11/16"-12	1.1/4	25	18	56	46
6830-20-32	38	1.1/2"	2"-12	1.1/4	25	18	58	55
6830-24-32	38	1.1/2"	2"-12	1.1/2	25	18	59	55

6036 Коннектор ORFS/BSP

Swivel Nut Female ORFS/BSP with "ED" seal (DIN 3852 form E)

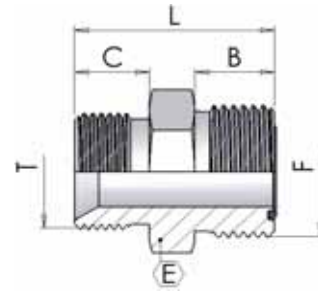

Резьба / Thread:

BSPP (Form E DIN 3852)

part number	Ø tube		Dimensions					
	mm	inch	F	T	A	L	E	H
6036-02-06	6	1/4"	9/16"-18	1/8	26	34	17	14
6036-04-06	6	1/4"	9/16"-18	1/4	26	38	17	19
6036-04-09	8-10	5/16"-3/8"	11/16"-16	1/4	28	40	22	19
6036-04-11	12	1/2"	13/16"-16	1/4	35	47	24	22
6036-06-09	8-10	5/16"-3/8"	11/16"-16	3/8	28	40	22	22
6036-06-11	12	1/2"	13/16"-16	3/8	35	47	24	22
6036-08-09	8-10	5/16"-3/8"	11/16"-16	1/2	28	42	22	27
6036-08-11	12	1/2"	13/16"-16	1/2	35	49	24	27
6036-08-13	14-15-16	5/8"	1"-14	1/2	38	52	30	27
6036-08-14	18-20	3/4"	1.3/16"-12	1/2	41	55	36	30
6036-12-13	14-15-16	5/8"	1"-14	3/4	38	54	30	32
6036-12-14	18-20	3/4"	1.3/16"-12	3/4	41	57	36	32
6036-16-15	22-25	1"	1.7/16"-12	1	49	67	41	41
6036-20-21	28-30-32	1.1/4"	1.11/16"-12	1.1/4	49	69	50	50
6036-24-32	35-38	1.1/2"	2"-12	1.1/2	50	72	60	55

6810 **Коннектор ORFS/BSP**

Коннектор ORFS/BSP

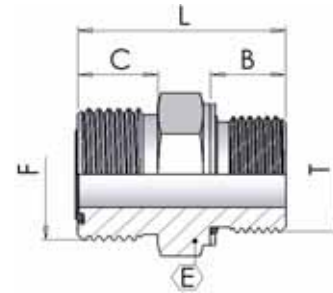


part number	Ø tube		Dimensions					
	mm	inch	F	T	B	C	L	E
6810-02-06	6	1/4"	9/16"-18	1/8-28	10	8	26	16
6810-04-09	8-10	5/16"-3/8"	11/16"-16	1/4-19	11	11	31	19
6810-06-11	12	1/2"	13/16"-16	3/8-19	13	12	35	22
6810-08-13	16	5/8"	1"-14	1/2-14	16	14	41	27
6810-12-14	20	3/4"	1.3/16"-12	3/4-11	17	16	46	32
6810-16-15	25	1"	1.7/16"-12	1-11	18	19	51	38
6810-20-21	32	1.1/4"	1.11/16"-12	1.1/4-11	18	20	54	46
6810-24-32	38	1.1/2"	2"-12	1.1/2-11	18	22	58	55

6800 **Адаптер ORFS/BSP уплотнительное кс**

Male Connector ORFS/BSP O'Ring

Резьба / Thread:
BSPP (ISO 1179-3)

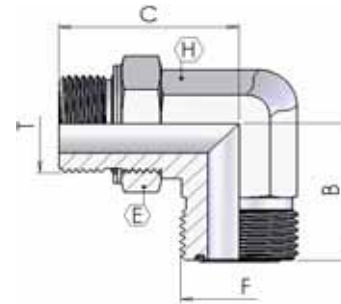


part number	Ø tube		Dimensions					
	mm	inch	F	T	B	C	L	E
6800-02-06	6	1/4"	9/16"-18	1/8-28	8	10	25	16
6800-04-06	6	1/4"	9/16"-18	1/4-19	12	10	31	19
6800-04-09	8-10	5/16"-3/8"	11/16"-16	1/4-19	12	11	32	19
6800-04-11	12	1/2"	13/16"-16	1/4-19	12	13	36	22
6800-06-06	6	1/4"	9/16"-18	3/8-19	12	10	31	22
6800-06-09	8-10	5/16"-3/8"	11/16"-16	3/8-19	12	11	32	24
6800-06-11	12	1/2"	13/16"-16	3/8-19	12	13	34	24
6800-06-13	14-16	5/8"	1"-14	3/8-19	11	16	37	27
6800-08-09	8-10	5/16"-3/8"	11/16"-16	1/2-14	14	11	35	27
6800-08-11	12	1/2"	13/16"-16	1/2-14	14	13	37	27
6800-08-13	14-16	5/8"	1"-14	1/2-14	15	16	40	30
6800-08-14	18-20	3/4"	1.3/16"-12	1/2-14	14	17	47	32
6800-12-11	12	1/2"	13/16"-16	3/4-11	16	13	41	36
6800-12-13	14-16	5/8"	1"-14	3/4-11	15	16	44	36
6800-12-14	18-20	3/4"	1.3/16"-12	3/4-11	15	17	45	36
6800-12-15	25	1"	1.7/16"-12	3/4-11	16	18	50	38
6800-16-13	14-16	5/8"	1"-14	1-11	18	16	48	41
6800-16-14	18-20	3/4"	1.3/16"-12	1-11	18	17	48	41
6800-16-15	25	1"	1.7/16"-12	1-11	18	18	48	41
6800-16-21	30-32	1.1/4"	1.11/16"-12	1-11	18	18	55	46
6800-20-15	25	1"	1.7/16"-12	1.1/4-11	20	18	52	50
6800-20-21	30-32	1.1/4"	1.11/16"-12	1.1/4-11	20	18	52	50
6800-24-32	38	1.1/2"	2"-12	1.1/2-11	22	18	56	60

6215 Регулируемый коннектор 90° ORFS/BSP

Adjustable Elbow ORFS/BSP

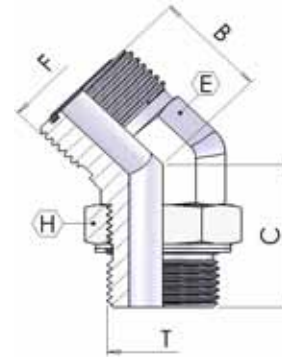
Резьба / Thread:
BSPP (ISO 1179-3)



part number	Ø tube		Dimensions					
	mm	inch	F	T	B	C	H	E
6215-02-06	6	1/4"	9/16"-18	1/8-28	22	30	14	14
6215-04-06	6	1/4"	9/16"-18	1/4-19	24	36	19	19
6215-04-09	8-10	5/16"-3/8"	11/16"-16	1/4-19	25	36	19	19
6215-04-11	12	1/2"	13/16"-16	1/4-19	28	36	19	19
6215-06-06	6	1/4"	9/16"-18	3/8-19	25	39	19	24
6215-06-09	8-10	5/16"-3/8"	11/16"-16	3/8-19	27	39	19	24
6215-06-11	12	1/2"	13/16"-16	3/8-19	28	39	19	24
6215-06-13	14-16	5/8"	1"-14	3/8-19	34	44	27	24
6215-08-09	8-10	5/16"-3/8"	11/16"-16	1/2-14	30	49	27	27
6215-08-11	12	1/2"	13/16"-16	1/2-14	31	49	27	27
6215-08-14	18-20	3/4"	1.3/16"-12	1/2-14	38	50	30	27
6215-08-13	14-16	5/8"	1"-14	1/2-14	34	49	27	27
6215-12-11	12	1/2"	13/16"-16	3/4-11	34	52	30	36
6215-12-13	14-16	5/8"	1"-14	3/4-11	36	52	30	36
6215-12-14	18-20	3/4"	1.3/16"-12	3/4-11	38	52	30	36
6215-12-15	25	1"	1.7/16"-12	3/4-11	42	58	37	36
6215-16-14	18-20	3/4"	1.3/16"-12	1-11	41	59	37	41
6215-16-15	25	1"	1.7/16"-12	1-11	42	59	37	41
6215-16-21	30-32	1.1/4"	1.11/16"-12	1-11	45	61	41	41
6215-20-15	25	1"	1.7/16"-12	1.1/4-11	45	61	41	50
6215-20-21	30-32	1.1/4"	1.11/16"-12	1.1/4-11	45	61	41	50
6215-24-32	38	1.1/2"	2"-12	1.1/2-11	49	65	48	60

6260
**Регулируемый коннектор 45°
ORFS/BSP**

Adjustable 45° Elbow ORFS/BSP

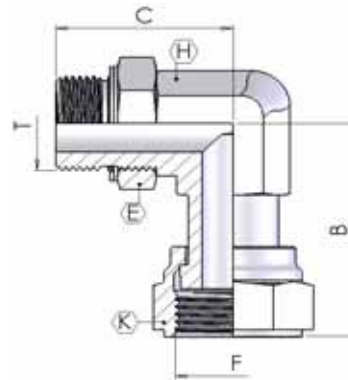

Резьба / Thread:
 BSPP (ISO 1179-3)

part number	Ø tube		Dimensions					
	mm	inch	F	T	B	C	H	E
6260-02-06	6	1/4"	9/16"-18	1/8-28	22	27	14	14
6260-04-06	6	1/4"	9/16"-18	1/4-19	24	32	19	19
6260-04-09	8-10	5/16"-3/8"	11/16"-16	1/4-19	25	32	19	19
6260-04-11	12	1/2"	13/16"-16	1/4-19	28	33	19	19
6260-06-06	6	1/4"	9/16"-18	3/8-19	25	34	24	19
6260-06-09	8-10	5/16"-3/8"	11/16"-16	3/8-19	27	34	24	19
6260-06-11	12	1/2"	13/16"-16	3/8-19	28	34	24	19
6260-06-13	14-16	5/8"	1"-14	3/8-19	34	34	24	27
6260-08-09	8-10	5/16"-3/8"	11/16"-16	1/2-14	30	42	27	27
6260-08-11	12	1/2"	13/16"-16	1/2-14	31	42	27	27
6260-08-14	18-20	3/4"	1.3/16"-12	1/2-14	38	46	27	30
6260-08-13	14-16	5/8"	1"-14	1/2-14	34	42	27	27
6260-12-11	12	1/2"	13/16"-16	3/4-11	34	47	36	30
6260-12-13	14-16	5/8"	1"-14	3/4-11	36	47	36	30
6260-12-14	18-20	3/4"	1.3/16"-12	3/4-11	38	47	36	30
6260-12-15	25	1"	1.7/16"-12	3/4-11	42	47	36	37
6260-16-14	18-20	3/4"	1.3/16"-12	1-11	41	51	41	37
6260-16-15	25	1"	1.7/16"-12	1-11	45	51	41	37
6260-16-21	30-32	1.1/4"	1.11/16"-12	1-11	45	52	41	41
6260-20-15	25	1"	1.7/16"-12	1.1/4-11	45	52	50	41
6260-20-21	30-32	1.1/4"	1.11/16"-12	1.1/4-11	45	52	50	41
6260-24-32	38	1.1/2"	2"-12	1.1/2-11	49	52	60	48

6340 Регулируемый коннектор 90° ORFS/BSP

Adjustable Elbow with Swivel Nut ORFS/BSP

Резьба / Thread:
BSPP (ISO 1179-3)

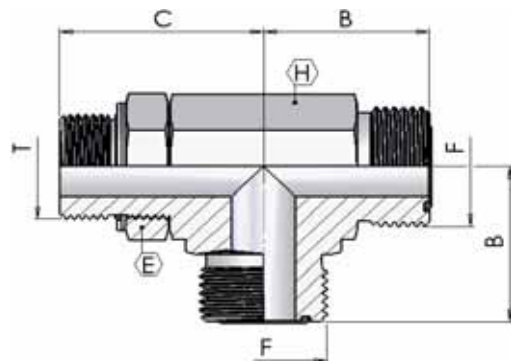


part number	Ø tube		Dimensions						
	mm	inch	F	T	B	C	E	H	K
6340-02-06	6	1/4"	9/16"-18	1/8"	27	30	14	14	19
6340-04-09	8-10	5/16"-3/8"	11/16"-16	1/4"	29	36	19	19	22
6340-06-11	12	1/2"	13/16"-16	3/8"	38	39	24	19	24
6340-08-13	14-16	5/8"	1"-14	1/2"	41	49	27	27	30
6340-12-14	18-20	3/4"	1.3/16"-12	3/4"	47	52	36	30	36
6340-16-15	25	1"	1.7/16"-12	1"	54	59	41	37	41
6340-20-21	30-32	1.1/4"	1.11/16"-12	1.1/4"	58	61	50	41	50
6340-24-32	38	1.1/2"	2"-12	1.1/2"	61	65	50	48	60

6460 Регулируемый тройник ORFS/BSP

Adjustable Run Tee ORFS/BSP

Резьба / Thread:
BSPP (ISO 1179-3)

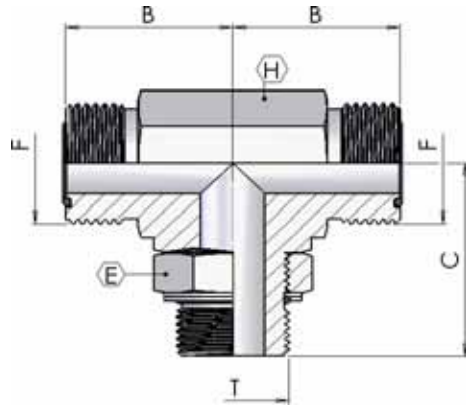


part number	Ø tube		Dimensions					
	mm	inch	F	T	B	C	H	E
6460-02-06	6	1/4"	9/16"-18	1/8-28	22	30	14	14
6460-04-06	6	1/4"	9/16"-18	1/4-19	24	36	19	19
6460-04-09	8-10	5/16"-3/8"	11/16"-16	1/4-19	25	36	19	19
6460-04-11	12	1/2"	13/16"-16	1/4-19	28	36	19	19
6460-06-06	6	1/4"	9/16"-18	3/8-19	25	39	19	24
6460-06-09	8-10	5/16"-3/8"	11/16"-16	3/8-19	27	39	19	24
6460-06-11	12	1/2"	13/16"-16	3/8-19	28	39	19	24
6460-06-13	14-16	5/8"	1"-14	3/8-19	34	44	27	24
6460-08-09	8-10	5/16"-3/8"	11/16"-16	1/2-14	30	49	27	27
6460-08-11	12	1/2"	13/16"-16	1/2-14	31	49	27	27
6460-08-14	18-20	3/4"	1.3/16"-12	1/2-14	38	50	30	27
6460-08-13	14-16	5/8"	1"-14	1/2-14	34	49	27	27
6460-12-11	12	1/2"	13/16"-16	3/4-11	34	52	30	36
6460-12-13	14-16	5/8"	1"-14	3/4-11	36	52	30	36
6460-12-14	18-20	3/4"	1.3/16"-12	3/4-11	38	52	30	36
6460-12-15	25	1"	1.7/16"-12	3/4-11	42	58	37	36
6460-16-14	18-20	3/4"	1.3/16"-12	1-11	41	59	37	41
6460-16-15	25	1"	1.7/16"-12	1-11	42	59	37	41
6460-16-21	30-32	1.1/4"	1.11/16"-12	1-11	45	61	41	41
6460-20-15	25	1"	1.7/16"-12	1.1/4-11	45	61	41	50
6460-20-21	30-32	1.1/4"	1.11/16"-12	1.1/4-11	45	61	41	50
6460-24-32	38	1.1/2"	2"-12	1.1/2-11	49	65	48	60

6410 Регулируемый тройник ORFS/BSP

Adjustable Branch Tee ORFS/BSP

Резьба / Thread:
BSPP (ISO 1179-3)

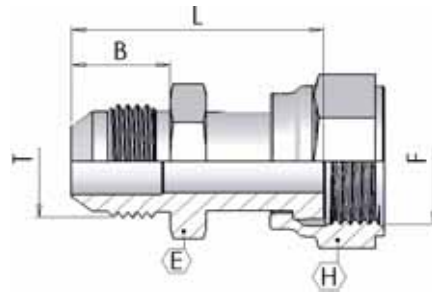


part number	Ø tube		Dimensions					
	mm	inch	F	T	B	C	H	E
6410-02-06	6	1/4"	9/16"-18	1/8-28	22	30	14	14
6410-04-06	6	1/4"	9/16"-18	1/4-19	24	36	19	19
6410-04-09	8-10	5/16"-3/8"	11/16"-16	1/4-19	25	36	19	19
6410-04-11	12	1/2"	13/16"-16	1/4-19	28	36	19	19
6410-06-06	6	1/4"	9/16"-18	3/8-19	25	39	19	24
6410-06-09	8-10	5/16"-3/8"	11/16"-16	3/8-19	27	39	19	24
6410-06-11	12	1/2"	13/16"-16	3/8-19	28	39	19	24
6410-06-13	14-16	5/8"	1"-14	3/8-19	34	44	27	24
6410-08-09	8-10	5/16"-3/8"	11/16"-16	1/2-14	30	49	27	27
6410-08-11	12	1/2"	13/16"-16	1/2-14	31	49	27	27
6410-08-14	18-20	3/4"	1.3/16"-12	1/2-14	38	50	30	27
6410-08-13	14-16	5/8"	1"-14	1/2-14	34	49	27	27
6410-12-11	12	1/2"	13/16"-16	3/4-11	34	52	30	36
6410-12-13	14-16	5/8"	1"-14	3/4-11	36	52	30	36
6410-12-14	18-20	3/4"	1.3/16"-12	3/4-11	38	52	30	36
6410-12-15	25	1"	1.7/16"-12	3/4-11	42	58	37	36
6410-16-14	18-20	3/4"	1.3/16"-12	1-11	41	59	37	41
6410-16-15	25	1"	1.7/16"-12	1-11	42	59	37	41
6410-16-21	30-32	1.1/4"	1.11/16"-12	1-11	45	61	41	41
6410-20-15	25	1"	1.7/16"-12	1.1/4-11	45	61	41	50
6410-20-21	30-32	1.1/4"	1.11/16"-12	1.1/4-11	45	61	41	50
6410-24-32	38	1.1/2"	2"-12	1.1/2-11	49	65	48	60

6125 **Коннектор гайка-штуцер ORFS/JIC**

Swivel Nut Female ORFS/JIC

Резьба / Thread:
UN/UNF (ISO 8434-2)

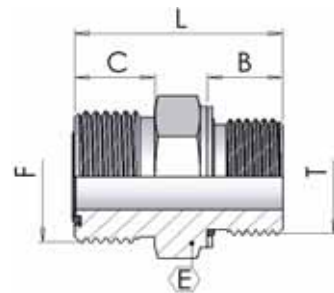


part number	Ø tube		Dimensions					
	mm	inch	F	T	B	L	E	H
6125-04-06	6	1/4"	9/16"-18	7/16-20	14	41	13	19
6125-06-09	8-10	5/16"-3/8"	11/16"-16	9/16-18	14	43	16	22
6125-08-11	12	1/2"	13/16"-16	3/4-16	17	53	22	24
6125-10-13	16	5/8"	1"-14	7/8-14	20	58	24	30
6125-12-14	20	3/4"	1.3/16"-12	1.1/16-12	22	64	30	36
6125-16-15	25	1"	1.7/16"-12	1.5/16-12	23	72	36	41
6125-20-21	32	1.1/4"	1.11/16"-12	1.5/8-12	25	74	42	50
6125-24-32	38	1.1/2"	2"-12	1.7/8-12	28	77	50	60

6900 **Коннектор ORFS/метрика DIN 3852-1**

Коннектор ORFS/метрика DIN 3852-1

Резьба / Thread:
Metric Parallel

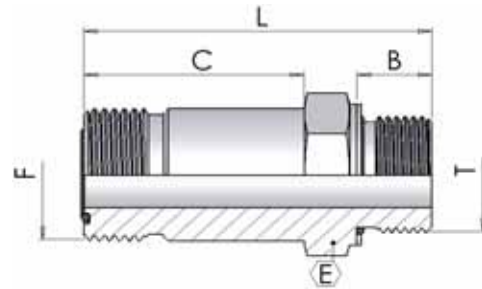


part number	Ø tube		Dimensions					
	mm	inch	F	T	B	C	L	E
6900-10-06	6	1/4"	9/16"-18	M10x1	9	34	26	16
6900-12-06	6	1/4"	9/16"-18	M12x1,5	12	34	29	17
6900-14-09	8-10	5/16"-3/8"	11/16"-16	M14x1,5	-	37	31	19
6900-16-09	8-10	5/16"-3/8"	11/16"-16	M16x1,5	13	37	33	22
6900-16-11	12	1/2"	13/16"-16	M16x1,5	-	45	38	22
6900-18-11	12	1/2"	13/16"-16	M18x1,5	14	45	36	24
6900-18-13	14-16	5/8"	1"-14	M18x1,5	-	53	43	27
6900-22-13	14-16	5/8"	1"-14	M22x1,5	15	53	41	30
6900-22-14	18-20	3/4"	1.3/16"-12	M22x1,5	-	64	-	32
6900-27-14	18-20	3/4"	1.3/16"-12	M27x2	19	64	48	36
6900-27-15	25	1"	1.7/16"-12	M27x2	-	73	-	38
6900-33-15	25	1"	1.7/16"-12	M33x2	19	73	50	41
6900-42-21	30-32	1.1/4"	1.11/16"-12	M42x2	19	87	53	50
6900-48-32	38	1.1/2"	2"-12	M48x2	22	97	55	60

6920 **Коннектор удлиненный ORFS/метрика DIN 3852-2**

Long Male Connector ORFS/ Metric DIN 3852-1

Резьба / Thread:
Metric Parallel

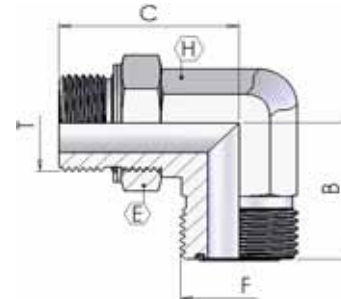


part number	Ø tube		Dimensions					
	mm	inch	F	T	B	C	L	E
6920-10-06	6	1/4"	9/16"-18	M10x1	9	34	50	16
6920-12-06	6	1/4"	9/16"-18	M12x1,5	12	34	53	17
6920-14-09	8-10	5/16"-3/8"	11/16"-16	M14x1,5	-	37	57	19
6920-16-09	8-10	5/16"-3/8"	11/16"-16	M16x1,5	13	37	59	22
6920-16-11	12	1/2"	13/16"-16	M16x1,5	-	45	69	22
6920-18-11	12	1/2"	13/16"-16	M18x1,5	14	45	68	24
6920-18-13	14-16	5/8"	1"-14	M18x1,5	-	53	80	27
6920-22-13	14-16	5/8"	1"-14	M22x1,5	15	53	78	30
6920-22-14	18-20	3/4"	1.3/16"-12	M22x1,5	-	64	-	32
6920-27-14	18-20	3/4"	1.3/16"-12	M27x2	19	64	95	36
6920-27-15	25	1"	1.7/16"-12	M27x2	-	73	-	38
6920-33-15	25	1"	1.7/16"-12	M33x2	19	73	106	41
6920-42-21	30-32	1.1/4"	1.11/16"-12	M42x2	19	87	122	50
6920-48-32	38	1.1/2"	2"-12	M48x2	22	97	135	60

6320 **Регулируемый коннектор 90° ORFS/метрика DIN 3852-3**

Adjustable Elbow ORFS/ Metric DIN 3852-1

Резьба / Thread:
Metric Parallel

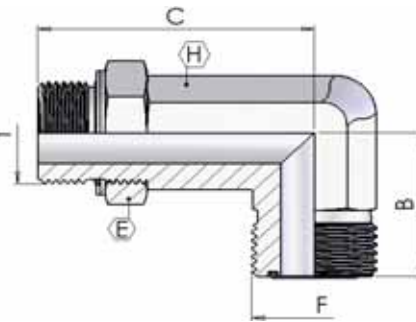


part number	Ø tube		Dimensions					
	mm	inch	F	T	B	C	H	E
6320-10-06	6	1/4"	9/16"-18	M10x1	22	32	14	14
6320-12-06	6	1/4"	9/16"-18	M12x1,5	22	33	14	17
6320-14-09	8-10	5/16"-3/8"	11/16"-16	M14x1,5	25	37	19	19
6320-16-09	8-10	5/16"-3/8"	11/16"-16	M16x1,5	25	37	19	22
6320-16-11	12	1/2"	13/16"-16	M16x1,5	28	40	19	22
6320-18-11	12	1/2"	13/16"-16	M18x1,5	28	40	19	24
6320-18-13	14-16	5/8"	1"-14	M18x1,5	34	45	27	24
6320-22-13	14-16	5/8"	1"-14	M22x1,5	34	49	27	27
6320-22-14	18-20	3/4"	1.3/16"-12	M22x1,5	38	50	30	27
6320-27-14	18-20	3/4"	1.3/16"-12	M27x2	38	55	30	36
6320-27-15	25	1"	1.7/16"-12	M27x2	42	56	37	36
6320-33-15	25	1"	1.7/16"-12	M33x2	42	60	37	41
6320-42-21	30-32	1.1/4"	1.11/16"-12	M42x2	45	62	41	50
6320-48-32	38	1.1/2"	2"-12	M48x2	49	68	48	60

6940 **Удлиненный регулируемый коннектор 90° ORFS/метрика DIN 3852-4**

Long Adjustable Elbow ORFS/ Metric DIN 3852-1

Резьба / Thread:
Metric Parallel

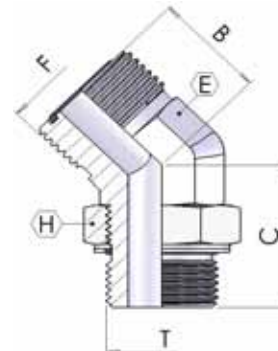


part number	Ø tube		Dimensions					
	mm	inch	F	T	B	C	L	E
6940-10-06	6	1/4"	9/16"-18	M10x1	22	56	14	14
6940-12-06	6	1/4"	9/16"-18	M12x1,5	22	57	14	17
6940-14-09	8-10	5/16"-3/8"	11/16"-16	M14x1,5	25	66	19	19
6940-16-09	8-10	5/16"-3/8"	11/16"-16	M16x1,5	25	72	19	22
6940-16-11	12	1/2"	13/16"-16	M16x1,5	28	74	19	22
6940-18-11	12	1/2"	13/16"-16	M18x1,5	28	75	19	24
6940-18-13	14-16	5/8"	1"-14	M18x1,5	34	84	27	24
6940-22-13	14-16	5/8"	1"-14	M22x1,5	34	88	27	27
6940-22-14	18-20	3/4"	1.3/16"-12	M22x1,5	38	96	30	27
6940-27-14	18-20	3/4"	1.3/16"-12	M27x2	38	100	30	36
6940-27-15	25	1"	1.7/16"-12	M27x2	42	111	37	36
6940-33-15	25	1"	1.7/16"-12	M33x2	42	115	37	41
6940-42-21	30-32	1.1/4"	1.11/16"-12	M42x2	45	127	41	50
6940-48-32	38	1.1/2"	2"-12	M48x2	49	142	48	60

6270 **Регулируемый коннектор 45° ORFS/метрика DIN 3852-3**

Adjustable 45° Elbow ORFS/ Metric DIN 3852-1

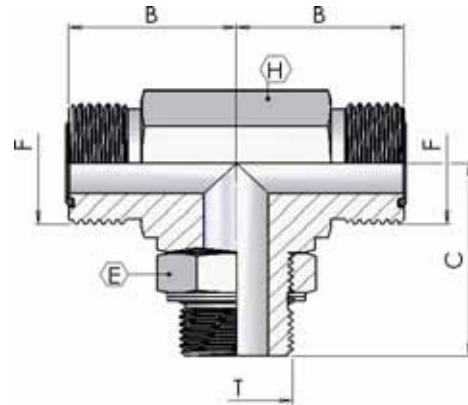
Резьба / Thread:
Metric Parallel



part number	Ø tube		Dimensions					
	mm	inch	F	T	B	C	H	E
6270-10-06	6	1/4"	9/16"-18	M10x1	16	30	14	14
6270-12-06	6	1/4"	9/16"-18	M12x1,5	16	30	14	17
6270-14-09	8-10	5/16"-3/8"	11/16"-16	M14x1,5	19	-	19	19
6270-16-09	8-10	5/16"-3/8"	11/16"-16	M16x1,5	19	34	19	22
6270-16-11	12	1/2"	13/16"-16	M16x1,5	21	-	19	22
6270-18-11	12	1/2"	13/16"-16	M18x1,5	21	37	19	24
6270-18-13	14-16	5/8"	1"-14	M18x1,5	24	-	27	24
6270-22-13	14-16	5/8"	1"-14	M22x1,5	24	44	27	27
6270-22-14	18-20	3/4"	1.3/16"-12	M22x1,5	26	-	30	27
6270-27-14	18-20	3/4"	1.3/16"-12	M27x2	26	51	30	36
6270-27-15	25	1"	1.7/16"-12	M27x2	30	-	37	36
6270-33-15	25	1"	1.7/16"-12	M33x2	30	53	37	41
6270-42-21	30-32	1.1/4"	1.11/16"-12	M42x2	32	54	41	50
6270-48-32	38	1.1/2"	2"-12	M48x2	37	57	48	60

6420 Регулируемый тройник ORFS/метрика DIN 3852-4

Adjustable Branch Tee ORFS/ Metric DIN 3852-1

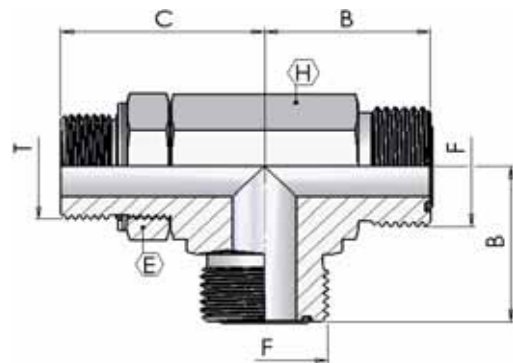


Резьба / Thread:
Metric Parallel

part number	Ø tube		Dimensions					
	mm	inch	F	T	B	C	H	E
6420-10-06	6	1/4"	9/16"-18	M10x1	22	32	14	14
6420-12-06	6	1/4"	9/16"-18	M12x1,5	22	33	14	17
6420-14-09	8-10	5/16"-3/8"	11/16"-16	M14x1,5	25	37	19	19
6420-16-09	8-10	5/16"-3/8"	11/16"-16	M16x1,5	25	37	19	22
6420-16-11	12	1/2"	13/16"-16	M16x1,5	28	40	19	22
6420-18-11	12	1/2"	13/16"-16	M18x1,5	28	40	19	24
6420-18-13	14-16	5/8"	1"-14	M18x1,5	34	45	27	24
6420-22-13	14-16	5/8"	1"-14	M22x1,5	34	49	27	27
6420-22-14	18-20	3/4"	1.3/16"-12	M22x1,5	38	50	30	27
6420-27-14	18-20	3/4"	1.3/16"-12	M27x2	38	55	30	36
6420-27-15	25	1"	1.7/16"-12	M27x2	42	56	37	36
6420-33-15	25	1"	1.7/16"-12	M33x2	42	60	37	41
6420-42-21	30-32	1.1/4"	1.11/16"-12	M42x2	45	62	41	50
6420-48-32	38	1.1/2"	2"-12	M48x2	49	68	48	60

6470 Регулируемый тройник ORFS/метрика DIN 3852-4

Adjustable Run Tee ORFS/ Metric DIN 3852-1

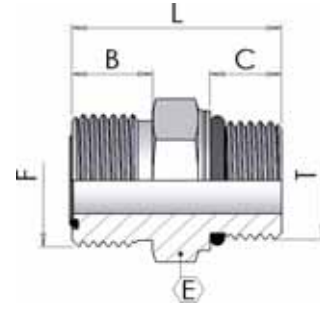


Резьба / Thread:
Metric Parallel

part number	Ø tube		Dimensions					
	mm	inch	F	T	B	C	H	E
6470-10-06	6	1/4"	9/16"-18	M10x1	22	32	14	14
6470-12-06	6	1/4"	9/16"-18	M12x1,5	22	33	14	17
6470-14-09	8-10	5/16"-3/8"	11/16"-16	M14x1,5	25	37	19	19
6470-16-09	8-10	5/16"-3/8"	11/16"-16	M16x1,5	25	37	19	22
6470-16-11	12	1/2"	13/16"-16	M16x1,5	28	40	19	22
6470-18-11	12	1/2"	13/16"-16	M18x1,5	28	40	19	24
6470-18-13	14-16	5/8"	1"-14	M18x1,5	34	45	27	24
6470-22-13	14-16	5/8"	1"-14	M22x1,5	34	49	27	27
6470-22-14	18-20	3/4"	1.3/16"-12	M22x1,5	38	50	30	27
6470-27-14	18-20	3/4"	1.3/16"-12	M27x2	38	55	30	36
6470-27-15	25	1"	1.7/16"-12	M27x2	42	56	37	36
6470-33-15	25	1"	1.7/16"-12	M33x2	42	60	37	41
6470-42-21	30-32	1.1/4"	1.11/16"-12	M42x2	45	62	41	50
6470-48-32	38	1.1/2"	2"-12	M48x2	49	68	48	60

6840 Коннектор ORFS/метрика ISO 6149-2

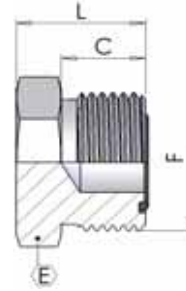
Male Connector ORFS/ Metric ISO 6149-2

Резьба / Thread:
 Metric (ISO 6149-2)


part number	Ø tube		Dimensions					
	mm	inch	F	T	B	C	L	E
6840-10-06	6	1/4"	9/16"-18	M10x1	9,8	9	27	17
6840-12-06	6	1/4"	9/16"-18	M12x1,5	9,8	11	29	17
6840-12-09	8-10	5/16"-3/8"	11/16"-16	M12x1,5	11,2	11	34	19
6840-14-06	6	1/4"	9/16"-18	M14x1,5	9,8	11	30	19
6840-14-09	8-10	5/16"-3/8"	11/16"-16	M14x1,5	11,2	11	31	19
6840-14-11	12	1/2"	13/16"-16	M14x1,5	12,8	11	35	22
6840-16-09	8-10	5/16"-3/8"	11/16"-16	M16x1,5	11,2	13	34	22
6840-16-11	12	1/2"	13/16"-16	M16x1,5	12,8	13	37	24
6840-18-09	8-10	5/16"-3/8"	11/16"-16	M18x1,5	11,2	14	35	24
6840-18-11	12	1/2"	13/16"-16	M18x1,5	12,8	14	37	24
6840-18-13	14-15-16	5/8"	1"-14	M18x1,5	15,5	14	41	27
6840-22-09	8-10	5/16"-3/8"	11/16"-16	M22x1,5	11,2	15	38	27
6840-22-11	12	1/2"	13/16"-16	M22x1,5	12,8	15	39	27
6840-22-13	14-15-16	5/8"	1"-14	M22x1,5	15,5	15	42	27
6840-22-14	18-20	3/4"	1.3/16"-12	M22x1,5	17,0	15	50	32
6840-27-11	12	1/2"	13/16"-16	M27x2	12,8	18	44	32
6840-27-14	18-20	3/4"	1.3/16"-12	M27x2	17,0	19	49	32
6840-27-15	22-25	1"	1.7/16"-12	M27x2	17,5	18	54	41
6840-33-14	18-20	3/4"	1.3/16"-12	M33x2	17,0	19	50	41
6840-33-15	22-25	1"	1.7/16"-12	M33x2	17,5	18	52	41
6840-33-21	28-30-32	1.1/4"	1.11/16"-12	M33x2	17,5	18	54	46
6840-42-21	28-30-32	1.1/4"	1.11/16"-12	M42x2	17,5	19	55	50
6840-42-32	35-38	1.1/2"	2"-12	M42x2	17,5	19	60	55
6840-48-32	35-38	1.1/2"	2"-12	M48x2	17,5	21	57	55

6600 **Заглушка штуцер**

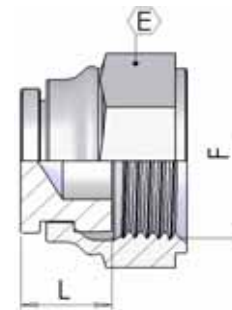
Male plug



part number	Dimensions			
	F	C	L	E
6600-06	9/16 - 18	10	17	17
6600-09	11/16 - 16	11	19	19
6600-11	13/16 - 16	13	22	22
6600-13	1 - 14	16	26	27
6600-14	1.3/16 - 12	17	27	32
6600-15	1.7/16 - 12	18	28	38
6600-21	1.11/16 - 12	18	28	46
6600-32	2 - 12	18	28	55

6610 **Заглушка гайка**

Female Plug Swivel



part number	Dimensions			
	F		L	E
6610-06	9/16 - 18		13	19
6610-09	11/16 - 16		15	22
6610-11	13/16 - 16		15	24
6610-13	1 - 14		17	30
6610-14	1.3/16 - 12		16	36
6610-15	1.7/16 - 12		19	41
<i>Съемная гайка</i> 6610-21	1.11/16 - 12		22	50
<i>Съемная гайка</i> 6610-32	2 - 12		22	60

