



**IMM.M.M.**

Адаптеры JIC

F

**F**

**IMMHyPress**  
IMM Group



## Адаптеры JIC

Страница / Page	3	4	4			
<b>Nut, Slives</b>						
	<b>5000</b> Nut	<b>5010</b> Metric Sleeve	<b>5020</b> Sleeve			
Страница / Page	5	5	6	7	7	
<b>JIC swivel</b>						
	<b>5050</b> Swivel Connector M UNF x F JIC	<b>5055</b> Swivel Union M Jic x F Jic	<b>5035</b> Swivel Connector M BSP x F JIC	<b>5056</b> Swivel Reduction M Jic x F Jic	<b>5060</b> 90° Swivel Elbow F JIC x M JIC	
Страница / Page	8	8	9		9	
<b>JIC swivel</b>				<b>NPSM NPTF</b>		
	<b>5070</b> 45° Swivel Elbow F JIC x M JIC	<b>5080</b> Run Tee Swivel Connector	<b>5090</b> Branch Tee Swivel Connector		<b>5260</b> Swivel Connector F NPSM x M NPTF	
Страница / Page	10	10	11	11	12	
<b>JIC JIC</b>						
	<b>1900</b> Union	<b>5110</b> Bulkhead Union	<b>5100</b> 90° Elbow Union	<b>5130</b> 90° Bulkhead Elbow Union	<b>5114</b> Bulkhead 45° Union Elb. JIC	
Страница / Page	12	13	13	14		
<b>JIC JIC</b>						
	<b>5120</b> Union Tee JIC	<b>5135</b> Bulkhead Run Tee JIC	<b>5137</b> Bulkhead Branch Tee JIC	<b>5900</b> Union Cross JIC		
Страница / Page	14	15	15	16	16	17
<b>JIC NPTF</b>						
	<b>1906</b> Male Connector M JIC x M NPTF	<b>5140</b> 90° Elbow Connector M JIC x M NPTF	<b>5160</b> Run Tee Connector Jic-Jic-NPTF	<b>5150</b> 45° Elbow Connector M JIC x M NPTF	<b>5170</b> Branch Tee Connector Jic-NPTF-Jic	<b>5180</b> Male-Female Connector M JIC x F NPTF

Dimensions and general characteristics may be changed at any time without prior notice.

Data contained herein are for information purpose only, and it does not enlarge, amend or imply any warranty other than provided by us with the product  
Any use of the product not in conformance with our instructions may be dangerous.

## Адаптеры JIC

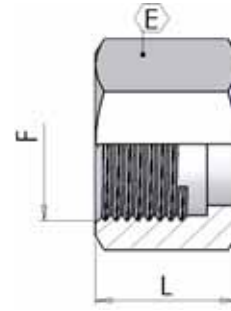
Страница / Page	18	18	19	19	20
<b>JIC UNF</b>					
	<b>1907</b> Male Connector M JIC x M UNF	<b>5205</b> Long Male Connector M Jic x M UNF	<b>5190</b> 90° Elbow Connector UNF Orientable	<b>5195</b> Long Adjustable Elbow UNF Orientable	<b>5200</b> 45° Elbow Connector UNF Orientable
Страница / Page	20	21	21	22	23
<b>JIC UNF</b>			<b>JIC BSP</b>		
	<b>5210</b> Run Tee Connector UNF Orientable	<b>5220</b> Branch Tee Connector UNF Orientable		<b>1905</b> Male Connector M JIC x M BSP	<b>1915</b> Male Connector M Jic x M BSP or
					<b>5185</b> Male-Female Connector M JIC x F BSP
Страница / Page	23	24	24	25	26
<b>JIC BSP</b>					
	<b>5230</b> 90° Elbow Connector BSP Orientable	<b>5235</b> Adjustable 45° Elbow M JIC x M BSP	<b>5240</b> Run Tee Connector BSP Orientable	<b>5250</b> Branch Tee Connector BSP Orientable	<b>5255</b> Adj. Elb. with swivel nut F JIC x M BSP
					<b>5036</b> Swivel Connector F JIC x M BSP or (ED)
Страница / Page	27	27	28	29	30
<b>JIC BSPT</b>					
	<b>1903</b> Male Connector M Jic x M BSPT	<b>5165</b> 90° Elbow Connector M JIC x M BSPT	<b>5265</b> 45° Elbow Connector M JIC x M BSPT	<b>5275</b> Run Tee Connector Jic-Jic-BSPT	<b>5280</b> Branch Tee Connector Jic-BSPT-Jic
Страница / Page	31	31	32	32	33
<b>JIC METRIC</b>					
	<b>1777</b> Male Connector M Jic x M Metric	<b>5395</b> Long Male Connector M Jic x M Metric	<b>5400</b> Adjustable Elbow M JIC x M Metric	<b>5405</b> Long Adjustable Elbow M JIC x M Metric	<b>5410</b> Adjustable 45° Elbow M JIC x M Metric
					<b>5425</b> Adjustable Branch Tee JIC - JIC - Metric
Страница / Page	34	35	35	36	36
<b>JIC METRIC</b>			<b>Plugs</b>		
	<b>5420</b> Adjustable Run Tee JIC - Metric - JIC	<b>5037</b> Swivel Connector F JIC x M Metric or (ED)		<b>5040</b> SAE Plug	<b>J605</b> JIC Male Plug
					<b>J608</b> JIC Female Plug Swivel

Dimensions and general characteristics may be changed at any time without prior notice.

Data contained herein are for information purpose only, and it does not enlarge, amend or imply any warranty other than provided by us with the product  
Any use of the product not in conformance with our instructions may be dangerous.

5000 **Гайка**

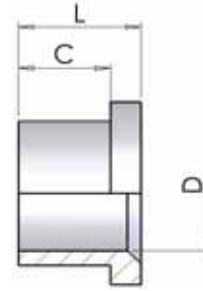
Nut



part number	Ø tube		Dimensions			
	mm	inch	F	L	E	
5000-04	6	1/4"	7/16" - 20	16	14	
5000-05	8	5/16"	1/2" - 20	17	17	
5000-06	10	3/8"	9/16" - 18	18	19	
5000-08	12	1/2"	3/4" - 16	21	22	
5000-10	16	5/8"	7/8" - 14	25	27	
5000-12	20	3/4"	1.1/16" - 12	26	32	
5000-16	25	1"	1.5/16" - 12	28	41	
5000-20	32	1-1/4"	1.5/8" - 12	31	50	
5000-24	38	1-1/2"	1.7/8" - 12	36	60	

### 5010 Кольцо врезное метрическое

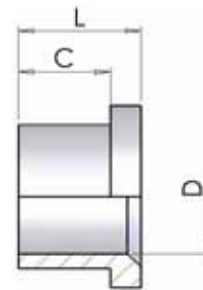
Sleeve for inches tube



part number	Ø tube	Dimensions		
	mm	L	C	D
5010-06	6	10	7	6
5010-08	8	11	7	8
5010-10	10	13	8	10
5010-12	12	14	9	12
5010-14	14	17	11	14
5010-15	15	17	11	15
5010-16	16	17	11	16
5010-18	18	17	11	18
5010-20	20	17	11	20
5010-25	25	20	13	25
5010-30	30	23	15	30
5010-32	32	23	15	32
5010-38	38	28	20	38

### 5020 Кольцо дюймовое

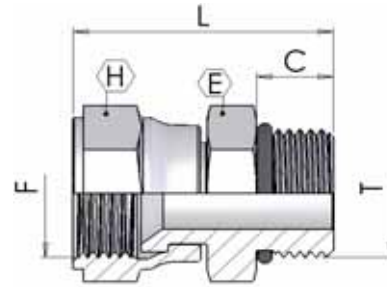
Sleeve for inches tube



part number	Ø tube	Dimensions		
	inch	L	C	D
5020-04	1/4"	10	7	1/4"
5020-05	5/16"	11	7	5/16"
5020-06	3/8"	13	8	3/8"
5020-08	1/2"	14	9	1/2"
5020-10	5/8"	17	11	5/8"
5020-12	3/4"	17	11	3/4"
5020-16	1"	20	13	1"
5020-20	1.1/4"	23	15	1.1/4"
5020-24	1.1/2"	28	20	1.1/2"

## 5050 Коннектор JIC X UNF

Connector swivel JIC female X UNF male

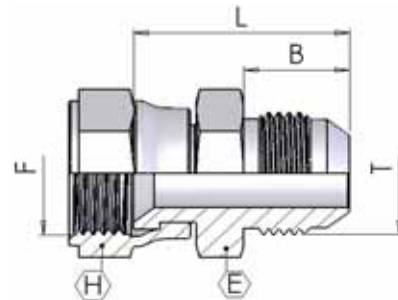


**Резьба / Thread:**  
UNF/UN (ISO 11926-1)

part number	Ø tube		Dimensions					
	mm	inch	F	T	C	L	H	E
5050-04	6	1/4"	7/16" - 20	7/16" - 20	9	33	15	14
5050-05	8	5/16"	1/2" - 20	1/2" - 20	9	34	17	17
5050-06	10	3/8"	9/16" - 18	9/16" - 18	10	36	19	17
5050-08	12	1/2"	3/4" - 16	3/4" - 16	11	42	24	22
5050-10	16	5/8"	7/8" - 14	7/8" - 14	13	47	27	27
5050-12	20	3/4"	1.1/16" - 12	1.1/16" - 12	15	51	32	32
5050-16	25	1"	1.5/16" - 12	1.5/16" - 12	15	58	38	38
5050-20	32	1-1/4"	1.5/8" - 12	1.5/8" - 12	15	63	50	50
5050-24	38	1-1/2"	1.7/8" - 12	1.7/8" - 12	15	68	55	55

## 5055 Адаптер JIC

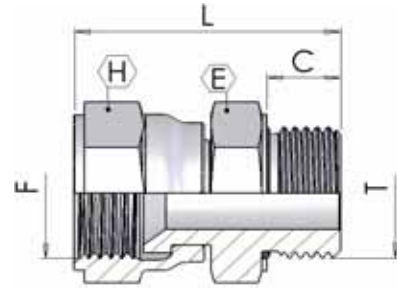
Swivel Union M/F JIC



part number	Ø tube		Dimensions					
	mm	inch	F	T	C	L	H	E
5055-04	6	1/4"	7/16" - 20	7/16" - 20	14	27	15	12
5055-05	8	5/16"	1/2" - 20	1/2" - 20	14	28	17	14
5055-06	10	3/8"	9/16" - 18	9/16" - 18	14	29	19	15
5055-08	12	1/2"	3/4" - 16	3/4" - 16	17	34	24	19
5055-10	16	5/8"	7/8" - 14	7/8" - 14	19	39	27	24
5055-12	20	3/4"	1.1/16" - 12	1.1/16" - 12	22	43	32	27
5055-16	25	1"	1.5/16" - 12	1.5/16" - 12	23	47	38	34
5055-20	32	1-1/4"	1.5/8" - 12	1.5/8" - 12	24	53	50	42
5055-24	38	1-1/2"	1.7/8" - 12	1.7/8" - 12	28	60	55	50
5055-32	50	2"	2.1/2"-12	2.1/2"-12	34	71	60	65

## 5035 **Коннектор JIC X BSP**

Connector swivel JIC female X BSP male

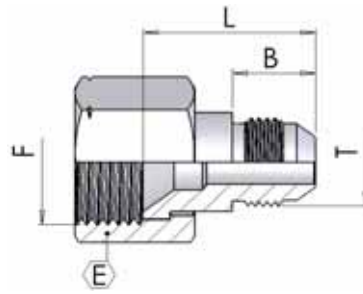


**Резьба / Thread:**  
BSPP (ISO 1179-3)

part number	Ø tube		Dimensions					
	mm	inch	F	T	C	L	H	E
5035-04-02	6	1/4"	7/16" - 20	1/8"-28	8	28	15	14
5035-04-04	6	1/4"	7/16" - 20	1/4"-19	11	33	15	19
5035-04-06	6	1/4"	7/16" - 20	3/8"-19	11	36	15	22
5035-04-08	6	1/4"	7/16" - 20	1/2"-14	15	41	15	27
5035-05-04	8	5/16"	1/2" - 20	1/4"-19	11	34	17	19
5035-05-06	8	5/16"	1/2" - 20	3/8"-19	11	37	17	22
5035-06-04	10	3/8"	9/16" - 18	1/4"-19	11	35	19	19
5035-06-06	10	3/8"	9/16" - 18	3/8"-19	11	36	19	22
5035-06-08	10	3/8"	9/16" - 18	1/2"-14	15	41	19	27
5035-08-04	12	1/2"	3/4" - 16	1/4"-19	11	36	24	19
5035-08-06	12	1/2"	3/4" - 16	3/8"-19	11	39	24	22
5035-08-08	12	1/2"	3/4" - 16	1/2"-14	15	43	24	27
5035-10-06	16	5/8"	7/8" - 14	3/8"-19	11	43	27	22
5035-10-08	16	5/8"	7/8" - 14	1/2"-14	15	47	27	27
5035-10-12	16	5/8"	7/8" - 14	3/4"-14	15	49	27	32
5035-12-08	20	3/4"	1.1/16" - 12	1/2"-14	15	49	32	27
5035-12-12	20	3/4"	1.1/16" - 12	3/4"-14	15	49	32	32
5035-12-16	20	3/4"	1.1/16" - 12	1"-11	19	55	32	41
5035-16-12	25	1"	1.5/16" - 12	3/4"-14	15	52	38	32
5035-16-16	25	1"	1.5/16" - 12	1"-11	19	58	38	41
5035-16-20	25	1"	1.5/16" - 12	1.1/4"-11	19	63	38	50
5035-20-16	32	1-1/4"	1.5/8" - 12	1"-11	19	58	50	41
5035-20-20	32	1-1/4"	1.5/8" - 12	1.1/4"-11	19	63	50	50
5035-24-24	38	1-1/2"	1.7/8" - 12	1.1/2"-11	19	69	55	55

## 5056 **Адаптер редукционный JIC**

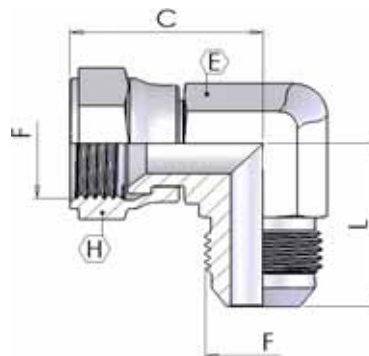
Swivel Reduction M/F JIC



part number	Ø tube		Dimensions					
	mm	inch	F	T	B	L	E	
5056-06-04	10	3/8"	9/16" - 18	7/16" - 20	14	23	19	
5056-06-05	10	3/8"	9/16" - 18	1/2" - 20	14	23	19	
5056-08-04	12	1/2"	3/4" - 16	7/16" - 20	14	24	22	
5056-08-05	12	1/2"	3/4" - 16	1/2" - 20	14	24	22	
5056-08-06	12	1/2"	3/4" - 16	9/16" - 18	14	24	22	
5056-10-04	16	5/8"	7/8" - 14	7/16" - 20	14	25	27	
5056-10-06	16	5/8"	7/8" - 14	9/16" - 18	14	25	27	
5056-10-08	16	5/8"	7/8" - 14	3/4" - 16	17	28	27	
5056-12-04	20	3/4"	1.1/16" - 12	7/16" - 20	14	27	32	
5056-12-06	20	3/4"	1.1/16" - 12	9/16" - 18	14	27	32	
5056-12-08	20	3/4"	1.1/16" - 12	3/4" - 16	17	30	32	
5056-12-10	20	3/4"	1.1/16" - 12	7/8" - 14	19	32	32	
5056-16-10	25	1"	1.5/16" - 12	7/8" - 14	19	34	41	
5056-16-12	25	1"	1.5/16" - 12	1.1/16" - 12	22	36	41	
5056-20-12	32	1.1/4"	1.5/8" - 12	1.1/16" - 12	22	39	50	
5056-20-16	32	1.1/4"	1.5/8" - 12	1.5/16" - 12	23	40	50	
5056-24-12	38	1.1/2"	1.7/8" - 12	1.1/16" - 12	22	41	60	
5056-24-16	38	1.1/2"	1.7/8" - 12	1.5/16" - 12	23	42	60	
5056-24-20	38	1.1/2"	1.7/8" - 12	1.5/8" - 12	24	43	60	

## 5060 **Коннектор 90° JIC**

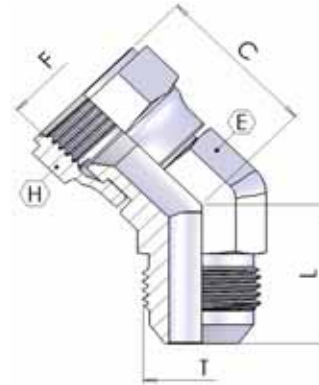
90° connector swivel JIC female X JIC male



part number	Ø tube		Dimensions						
	mm	inch	F	T	C	L	H	E	
5060-04	6	1/4"	7/16" - 20	7/16" - 20	26	23	16	14	
5060-05	8	5/16"	1/2" - 20	1/2" - 20	29	26	16	14	
5060-06	10	3/8"	9/16" - 18	9/16" - 18	32	26	19	14	
5060-08	12	1/2"	3/4" - 16	3/4" - 16	35	32	24	19	
5060-10	16	5/8"	7/8" - 14	7/8" - 14	41	36	27	22	
5060-12	20	3/4"	1.1/16" - 12	1.1/16" - 12	44	40	32	27	
5060-16	25	1"	1.5/16" - 12	1.5/16" - 12	50	42	38	34	
5060-20	32	1.1/4"	1.5/8" - 12	1.5/8" - 12	59	52	50	41	
5060-24	38	1.1/2"	1.7/8" - 12	1.7/8" - 12	66	59	60	48	
5060-32	50	2"	2.1/2" - 12	2.1/2" - 12	78	85	66	70	

**5070 Коннектор 45° JIC**

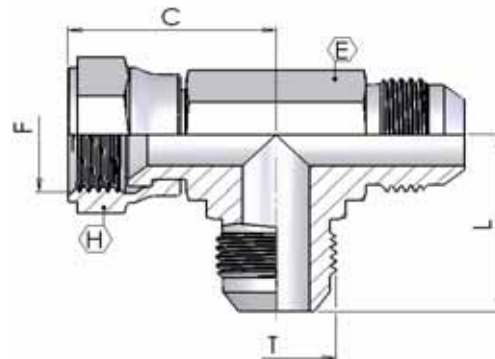
45° connector swivel JIC female X JIC male



part number	Ø tube		Dimensions					
	mm	inch	F	T	C	L	H	E
5070-04	6	1/4"	7/16" - 20	7/16" - 20	24	19	16	14
5070-05	8	5/16"	1/2" - 20	1/2" - 20	25	21	16	14
5070-06	10	3/8"	9/16" - 18	9/16" - 18	25	21	19	14
5070-08	12	1/2"	3/4" - 16	3/4" - 16	32	29	24	19
5070-10	16	5/8"	7/8" - 14	7/8" - 14	34	29	27	22
5070-12	20	3/4"	1.1/16" - 12	1.1/16" - 12	38	33	32	27
5070-16	25	1"	1.5/16" - 12	1.5/16" - 12	44	48	38	33

**5080 Тройник боковая гайка**

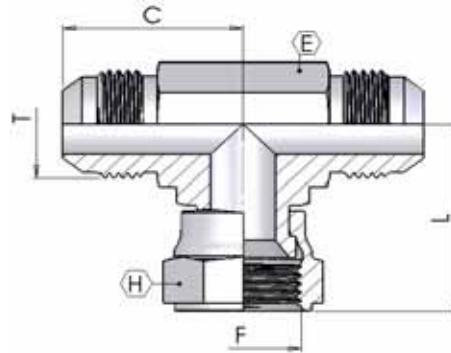
Female run tee



part number	Ø tube		Dimensions					
	mm	inch	F	T	C	L	H	E
5080-04	6	1/4"	7/16" - 20	7/16" - 20	25	23	15	11
5080-05	8	5/16"	1/2" - 20	1/2" - 20	27	24	17	13
5080-06	10	3/8"	9/16" - 18	9/16" - 18	32	27	19	14
5080-08	12	1/2"	3/4" - 16	3/4" - 16	35	32	24	19
5080-10	16	5/8"	7/8" - 14	7/8" - 14	41	37	27	22
5080-12	20	3/4"	1.1/16" - 12	1.1/16" - 12	44	42	32	27
5080-16	25	1"	1.5/16" - 12	1.5/16" - 12	51	46	38	33
5080-20	32	1.1/4"	1.5/8" - 12	1.5/8" - 12	58	52	50	41

### 5090 Тройник нижняя гайка

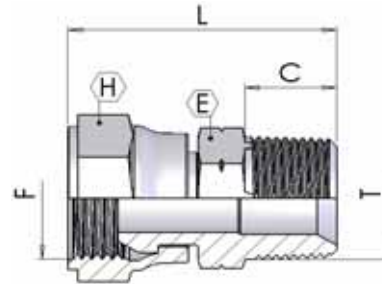
Female branch tee



part number	Ø tube		Dimensions					
	mm	inch	F	T	C	L	H	E
5090-04	6	1/4"	7/16" - 20	7/16" - 20	25	26	15	14
5090-05	8	5/16"	1/2" - 20	1/2" - 20	24	27	17	14
5090-06	10	3/8"	9/16" - 18	9/16" - 18	26	30	19	14
5090-08	12	1/2"	3/4" - 16	3/4" - 16	32	35	24	19
5090-10	16	5/8"	7/8" - 14	7/8" - 14	37	41	27	22
5090-12	20	3/4"	1.1/16" - 12	1.1/16" - 12	42	44	32	27
5090-16	25	1"	1.5/16" - 12	1.5/16" - 12	46	52	38	33
5090-20	32	1.1/4"	1.5/8" - 12	1.5/8" - 12	52	59	50	41

### 5260 Прямой коннектор NPSM X NPTF

Straight connector NPSM female X NPTF male

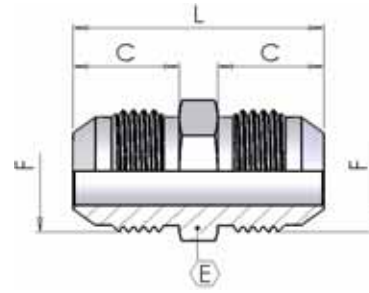


**Резьба / Thread:**  
NPT (ANSI/ASME B1.20.1-1983)

part number	Ø tube		Dimensions					
	mm	inch	F	T	C	L	H	E
5260-02	6	1/4"	1/8" - 28	1/8" - 28	10	28	14	13
5260-04	8	5/16"	1/4" - 18	1/4" - 18	14	36	19	15
5260-06	10	3/8"	3/8" - 18	3/8" - 18	14	39	22	19
5260-08	12	1/2"	1/2" - 14	1/2" - 14	19	48	27	27
5260-12	20	3/4"	3/4" - 14	3/4" - 14	19	53	32	32
5260-16	25	1"	1" - 11,5	1" - 11,5	24	61	38	36

## 1900 **Коннектор наружная резьба**

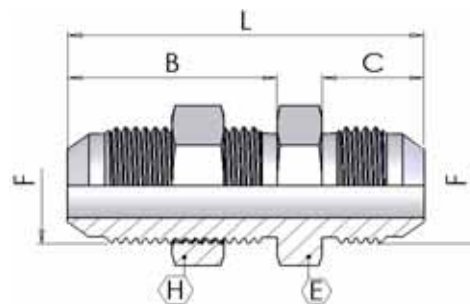
Male connector



part number	Ø tube		Dimensions			
	mm	inch	F	C	L	E
1900-04-04	6	1/4"	7/16" - 20	14	34	12
1900-05-05	8	5/16"	1/2" - 20	14	34	14
1900-06-06	10	3/8"	9/16" - 18	14	34	15
1900-08-08	12	1/2"	3/4" - 16	17	40	19
1900-10-10	16	5/8"	7/8" - 14	19	47	24
1900-12-12	20	3/4"	1.1/16" - 12	22	52	27
1900-16-16	25	1"	1.5/16" - 12	23	56	34
1900-20-20	32	1.1/4"	1.5/8" - 12	24	60	42
1900-24-24	38	1.1/2"	1.7/8" - 12	28	70	50
1900-32-32	50	2"	2.1/2" - 12	34	85	65

## 5110 **Прямой переборочный коннектор**

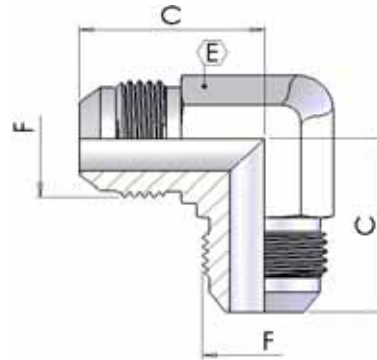
Straight Bulkhead Union



part number	Ø tube		Dimensions					
	mm	inch	F	L	C	B	H	E
5110-04	6	1/4"	7/16" - 20	53	14	31	17	13
5110-05	8	5/16"	1/2" - 20	53	14	31	19	14
5110-06	10	3/8"	9/16" - 18	55	14	33	22	16
5110-08	12	1/2"	3/4" - 16	62	17	37	24	19
5110-10	16	5/8"	7/8" - 14	70	19	41	30	24
5110-12	20	3/4"	1.1/16" - 12	79	22	45	36	27
5110-16	25	1"	1.5/16" - 12	80	23	45	41	36
5110-20	32	1.1/4"	1.5/8" - 12	84	24	47	50	46
5110-24	38	1.1/2"	1.7/8" - 12	89	28	47	55	50

### 5100 90° адаптер

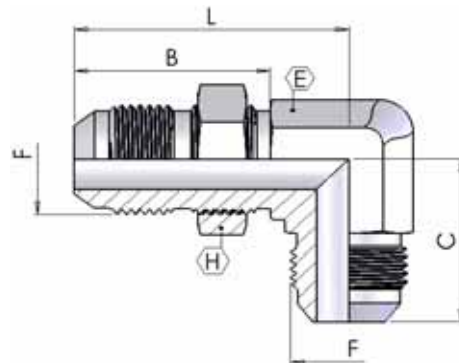
90° Elbow Union



part number	Ø tube		Dimensions		
	mm	inch	F	C	E
5100-04	6	1/4"	7/16" - 20	22	14
5100-05	8	5/16"	1/2" - 20	25	14
5100-06	10	3/8"	9/16" - 18	26	14
5100-08	12	1/2"	3/4" - 16	31	19
5100-10	16	5/8"	7/8" - 14	34	22
5100-12	20	3/4"	1.1/16" - 12	41	27
5100-16	25	1"	1.5/16" - 12	50	35
5100-20	32	1.1/4"	1.5/8" - 12	56	44
5100-24	38	1.1/2"	1.7/8" - 12	61	50
5100-32	50	2"	2.1/2" - 12	75	65

### 5130 Переборочный адаптер 90°

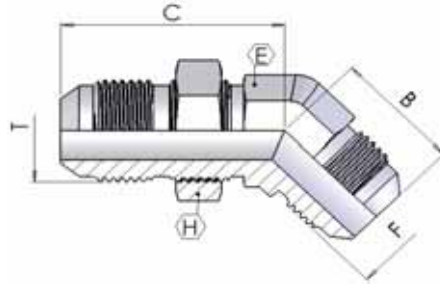
Bulkhead 90° Elbow Union



part number	Ø tube		Dimensions					
	mm	inch	F	C	L	B	H	E
5130-04	6	1/4"	7/16" - 20	25	41	28	17	11
5130-05	8	5/16"	1/2" - 20	27	44	28	19	14
5130-06	10	3/8"	9/16" - 18	28	46	30	22	14
5130-08	12	1/2"	3/4" - 16	35	54	35	24	19
5130-10	16	5/8"	7/8" - 14	40	61	39	30	22
5130-12	20	3/4"	1.1/16" - 12	45	68	43	36	27
5130-16	25	1"	1.5/16" - 12	50	71	43	41	33
5130-20	32	1.1/4"	1.5/8" - 12	55	79	44	50	41

**5114 Переборочный адаптер 45°**

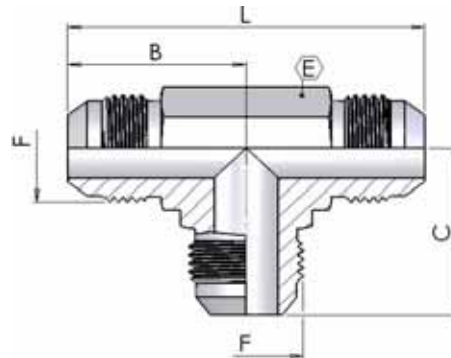
Bulkhead 45° Elbow Union



part number	Ø tube		Dimensions					
	mm	inch	F	T	B	C	H	E
5114-04	6	1/4"	7/16" - 20	7/16" - 20	19	39	17	14
5114-05	8	5/16"	1/2" - 20	1/2" - 20	19	42	19	14
5114-06	10	3/8"	9/16" - 18	9/16" - 18	21	43	22	14
5114-08	12	1/2"	3/4" - 16	3/4" - 16	25	49	24	19
5114-10	16	5/8"	7/8" - 14	7/8" - 14	28	55	30	22
5114-12	20	3/4"	1.1/16" - 12	1.1/16" - 12	33	62	36	27
5114-16	25	1"	1.5/16" - 12	1.5/16" - 12	38	65	41	33
5114-20	32	1-1/4"	1.5/8" - 12	1.5/8" - 12	41	67	50	41
5114-24	38	1-1/2"	1.7/8" - 12	1.7/8" - 12	45	68	55	48

**5120 Тройник**

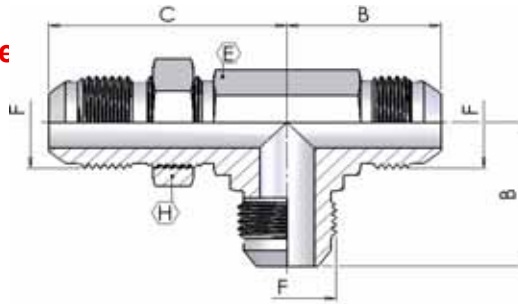
Union Tee



part number	Ø tube		Dimensions				
	mm	inch	F	C	L	B	E
5120-04	6	1/4"	7/16" - 20	26	52	26	14
5120-05	8	5/16"	1/2" - 20	24	48	24	14
5120-06	10	3/8"	9/16" - 18	26	52	26	14
5120-08	12	1/2"	3/4" - 16	32	64	32	19
5120-10	16	5/8"	7/8" - 14	32	64	32	22
5120-12	20	3/4"	1.1/16" - 12	42	84	42	27
5120-16	25	1"	1.5/16" - 12	46	92	46	35
5120-20	32	1.1/4"	1.5/8" - 12	52	104	52	44
5120-24	38	1.1/2"	1.7/8" - 12	59	118	59	50
5120-32	50	2"	2.1/2" - 12	78	156	78	65

**5135 Тройник переборочный боковой**

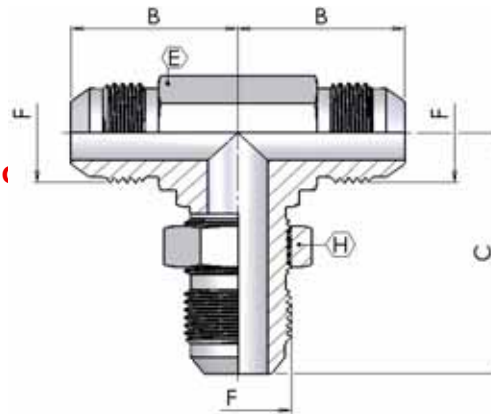
Bulkhead male run tee



part number	Ø tube		Dimensions				
	mm	inch	F	B	C	H	E
5135-04	6	1/4"	7/16" - 20	25	40	17	14
5135-05	8	5/16"	1/2" - 20	27	44	19	14
5135-06	10	3/8"	9/16" - 18	28	46	22	14
5135-08	12	1/2"	3/4" - 16	35	54	24	19
5135-10	16	5/8"	7/8" - 14	40	61	30	22
5135-12	20	3/4"	1.1/16" - 12	45	68	36	27
5135-16	25	1"	1.5/16" - 12	50	71	41	33
5135-20	32	1-1/4"	1.5/8" - 12	55	79	50	41
5135-24	38	1-1/2"	1.7/8" - 12	59	87	55	48

**5137 Тройник переборочный нижнее по**

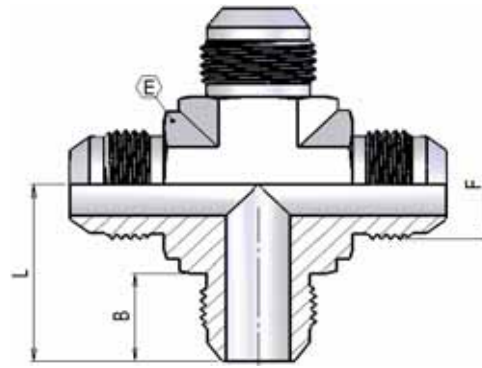
Bulkhead male Branch tee



part number	Ø tube		Dimensions				
	mm	inch	F	B	C	H	E
5137-04	6	1/4"	7/16" - 20	25	40	17	14
5137-05	8	5/16"	1/2" - 20	27	44	19	14
5137-06	10	3/8"	9/16" - 18	28	46	22	14
5137-08	12	1/2"	3/4" - 16	35	54	24	19
5137-10	16	5/8"	7/8" - 14	40	61	30	22
5137-12	20	3/4"	1.1/16" - 12	45	68	36	27
5137-16	25	1"	1.5/16" - 12	50	71	41	33
5137-20	32	1-1/4"	1.5/8" - 12	55	79	50	41
5137-24	38	1-1/2"	1.7/8" - 12	59	87	55	48

## 5900 X-адаптер JIC

Union Cross JIC



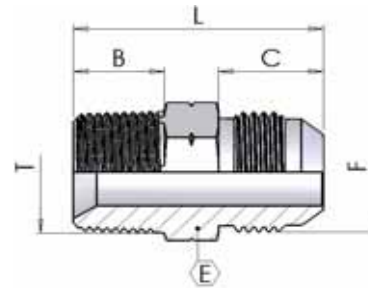
part number	Ø tube		Dimensions					
	mm	inch	F		B	L		E
5900-04	6	1/4"	7/16" - 20		14	23	12	
5900-05	8	5/16"	1/2" - 20		14	24	14	
5900-06	10	3/8"	9/16" - 18		14	27	14	
5900-08	12	1/2"	3/4" - 16		17	32	19	
5900-10	16	5/8"	7/8" - 14		19	37	22	
5900-12	20	3/4"	1.1/16" - 12		22	42	27	
5900-16	25	1"	1.5/16" - 12		23	46	33	
5900-20	32	1-1/4"	1.5/8" - 12		24	52	41	
5900-24	38	1-1/2"	1.7/8" - 12		28	59	48	

## 1906 Коннектор NPTF X JIC

Male connector NPTF male X JIC male

**Резьба / Thread:**

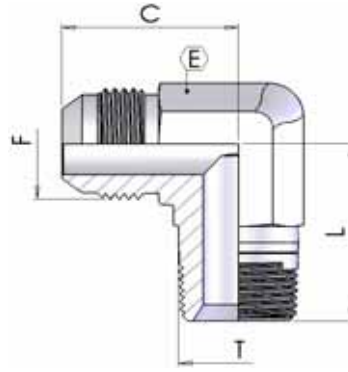
NPT (ANSI/ASME B1.20.1-1983)



part number	Ø tube		Dimensions						
	mm	inch	F	T	C	L	B	E	
1906-02-04	6	1/4"	7/16" - 20	1/8"	14	30	10	12	
1906-02-05	8	5/16"	1/2" - 20	1/8"	14	31	10	14	
1906-02-06	10	3/8"	9/16" - 18	1/8"	14	30	10	15	
1906-04-04	6	1/4"	7/16" - 20	1/4"	14	35	14	15	
1906-04-05	8	5/16"	1/2" - 20	1/4"	14	35	14	15	
1906-04-06	10	3/8"	9/16" - 18	1/4"	14	36	14	15	
1906-06-06	10	3/8"	9/16" - 18	3/8"	14	36	14	19	
1906-06-08	12	1/2"	3/4" - 16	3/8"	17	39	14	19	
1906-06-10	16	5/8"	7/8" - 14	3/8"	19	43	14	24	
1906-08-04	6	1/4"	7/16" - 20	1/2"	14	41	19	22	
1906-08-06	10	3/8"	9/16" - 18	1/2"	14	41	19	22	
1906-08-08	12	1/2"	3/4" - 16	1/2"	17	44	19	22	
1906-08-10	16	5/8"	7/8" - 14	1/2"	19	48	19	24	
1906-08-12	20	3/4"	1.1/16" - 12	1/2"	22	49	19	27	
1906-12-08	12	1/2"	3/4" - 16	3/4"	17	45	19	27	
1906-12-10	16	5/8"	7/8" - 14	3/4"	19	50	19	27	
1906-12-12	20	3/4"	1.1/16" - 12	3/4"	22	52	19	27	
1906-12-16	25	1"	1.5/16" - 12	3/4"	23	52	19	34	
1906-16-12	20	3/4"	1.1/16" - 12	1"	22	56	24	36	
1906-16-16	25	1"	1.5/16" - 12	1"	23	58	24	36	
1906-16-20	32	1.1/4"	1.5/8" - 12	1"	24	62	24	46	
1906-20-20	32	1.1/4"	1.5/8" - 12	1.1/4"	24	62	25	46	
1906-24-24	38	1.1/2"	1.7/8" - 12	1.1/2"	28	66	25	50	
1906-32-32	50	2"	2.1/2" - 12	2"	34	78	26	65	

## 5140 **Коннектор 90° JIC X NPTF**

90° connector JIC male X NPTF male



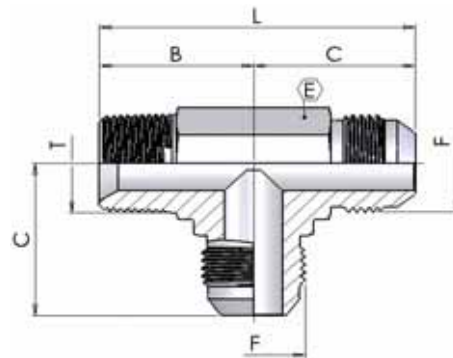
**Резьба / Thread:**

NPT (ANSI/ASME B1.20.1-1983)

part number	Ø tube		Dimensions				
	mm	inch	F	T	C	L	E
5140-02-04	6	1/4"	7/16" - 20	1/8"	25	24	14
5140-02-05	8	5/16"	1/2" - 20	1/8"	26	24	14
5140-04-04	6	1/4"	7/16" - 20	1/4"	26	27	14
5140-04-05	8	5/16"	1/2" - 20	1/4"	26	27	14
5140-04-06	10	3/8"	9/16" - 18	1/4"	26	27	14
5140-06-06	10	3/8"	9/16" - 18	3/8"	28	32	19
5140-06-08	12	1/2"	3/4" - 16	3/8"	32	32	19
5140-06-10	14	5/8"	7/8" - 14	3/8"	34	36	22
5140-08-06	10	3/8"	9/16" - 18	1/2"	29	36	22
5140-08-08	12	1/2"	3/4" - 16	1/2"	34	36	22
5140-08-10	15	5/8"	7/8" - 14	1/2"	34	36	22
5140-08-12	18	3/4"	1.1/16" - 12	1/2"	40	42	27
5140-12-08	12	1/2"	3/4" - 16	3/4"	36	40	27
5140-12-10	16	5/8"	7/8" - 14	3/4"	39	43	27
5140-12-12	20	3/4"	1.1/16" - 12	3/4"	40	43	27
5140-12-16	25	1"	1.5/16" - 12	3/4"	42	42	33
5140-16-16	25	1"	1.5/16" - 12	1"	42	42	33
5140-16-20	32	1.1/4"	1.5/8" - 12	1"	56	57	44
5140-20-20	32	1.1/4"	1.5/8" - 12	1-1/4"	56	59	44
5140-24-24	38	1.1/2"	1.7/8" - 12	1-1/2"	62	62	50
5140-32-32	50	2"	2.1/2" - 12	2"	74	74	65

## 5160 **Тройник NPTF X JIC**

NPTF male Run Tee



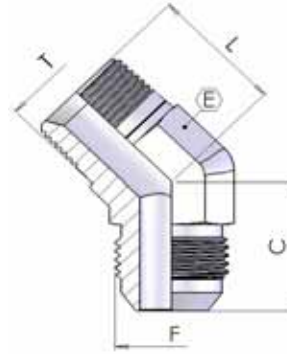
**Резьба / Thread:**

NPT (ANSI/ASME B1.20.1-1983)

part number	Ø tube		Dimensions					
	mm	inch	F	T	C	L	B	E
5160-02-04	6	1/4"	7/16" - 20	1/8"	23	43	20	14
5160-04-04	6	1/4"	7/16" - 20	1/4"	26	52	26	14
5160-04-05	8	5/16"	1/2" - 20	1/4"	24	51	27	14
5160-04-06	10	3/8"	9/16" - 18	1/4"	27	55	28	14
5160-06-08	12	1/2"	3/4" - 16	3/8"	32	63	31	19
5160-08-10	16	5/8"	7/8" - 14	1/2"	37	74	37	22
5160-12-12	20	3/4"	1.1/16" - 12	3/4"	42	82	40	27
5160-16-16	25	1"	1.5/16" - 12	1"	46	92	45,5	32

## 5150 **Коннектор 45° JIC X NPTF**

45° connector JIC male X NPTF male



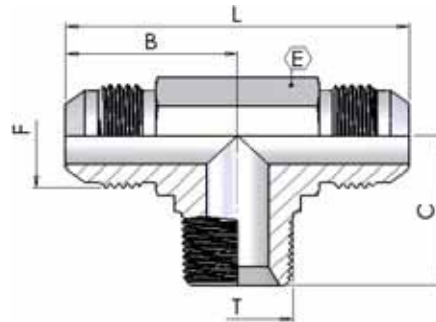
**Резьба / Thread:**

NPT (ANSI/ASME B1.20.1-1983)

part number	Ø tube		Dimensions					
	mm	inch	F	T	C	L	E	
5150-02-04	6	1/4"	7/16" - 20	1/8"	20	18	14	
5150-02-05	8	5/16"	1/2" - 20	1/8"	22	20	14	
5150-04-04	6	1/4"	7/16" - 20	1/4"	21	20	14	
5150-04-05	8	5/16"	1/2" - 20	1/4"	20	20	14	
5150-04-06	10	3/8"	9/16" - 18	1/4"	22	23	19	
5150-06-06	10	3/8"	9/16" - 18	3/8"	22	23	19	
5150-06-08	12	1/2"	3/4" - 16	3/8"	27	23	22	
5150-06-10	14	5/8"	7/8" - 14	3/8"	29	23	22	
5150-08-06	10	3/8"	9/16" - 18	1/2"	22	28	22	
5150-08-08	12	1/2"	3/4" - 16	1/2"	27	28	22	
5150-08-10	15	5/8"	7/8" - 14	1/2"	32	32	27	
5150-08-12	18	3/4"	1.1/16" - 12	1/2"	35	32	27	
5150-12-08	12	1/2"	3/4" - 16	3/4"	30	32	27	
5150-12-10	16	5/8"	7/8" - 14	3/4"	29	29	27	
5150-12-12	20	3/4"	1.1/16" - 12	3/4"	33	32	27	
5150-12-16	25	1"	1.5/16" - 12	3/4"	29	29	35	
5150-16-16	25	1"	1.5/16" - 12	1"	37	38	35	
5150-16-20	32	1.1/4"	1.5/8" - 12	1"	42	43	44	
5150-20-20	32	1.1/4"	1.5/8" - 12	1-1/4"	42	43	44	
5150-24-24	38	1.1/2"	1.7/8" - 12	1-1/2"	44	43	50	
5150-32-32	50	2"	2.1/2" - 12	2"	53	52	65	70

## 5170 **Тройник NPTF X JIC**

NPTF male branch Tee



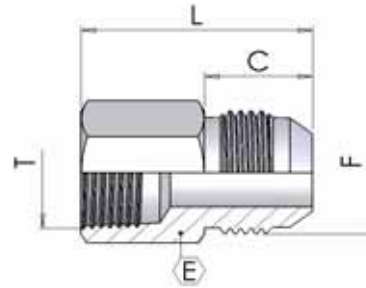
**Резьба / Thread:**

NPT (ANSI/ASME B1.20.1-1983)

part number	Ø tube		Dimensions						
	mm	inch	F	T	C	L	B	E	
5170-02-04	6	1/4"	7/16" - 20	1/8"	20	46	23	14	
5170-04-04	6	1/4"	7/16" - 20	1/4"	26	52	26	14	
5170-04-05	8	5/16"	1/2" - 20	1/4"	26	52	26	14	
5170-04-06	10	3/8"	9/16" - 18	1/4"	28	54	27	14	
5170-06-08	12	1/2"	3/4" - 16	3/8"	31	64	32	19	
5170-08-10	16	5/8"	7/8" - 14	1/2"	37	74	37	22	
5170-12-12	20	3/4"	1.1/16" - 12	3/4"	40	84	42	27	
5170-16-16	25	1"	1.5/16" - 12	1"	50	92	46	35	

## 5180 **Коннектор NPTF X JIC**

Connector NPTF female X JIC male



**Резьба / Thread:**

NPT (ANSI/ASME B1.20.1-1983)

part number	Ø tube		Dimensions					
	mm	inch	F	T	C	L	E	
5180-02-04	6	1/4"	7/16" - 20	1/8" - 27	14	30	14	
5180-02-05	8	5/16"	1/2" - 20	1/8" - 27	14	30	14	
5180-04-06	10	3/8"	9/16" - 18	1/4" - 18	14	35	19	
5180-06-06	10	3/8"	9/16" - 18	3/8" - 18	14	39	22	
5180-06-08	12	1/2"	3/4" - 16	3/8" - 14	17	39	22	
5180-08-10	16	5/8"	7/8" - 14	1/2" - 14	19	46	24	
5180-12-12	20	3/4"	1.1/16" - 12	3/4" - 14	22	51	27	
5180-16-16	25	1"	1.5/16" - 12	1" - 11.1/2	23	54	36	

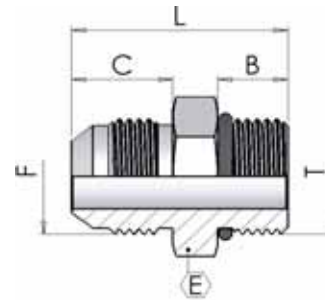
## 1907

### Коннектор JIC X UNF

Male connector JIC male X UNF straight thread

**Резьба / Thread:**

UNF/UN (ISO 11926-1)



part number	Ø tube		Dimensions					
	mm	inch	F	T	C	L	B	E
1907-04-04	6	1/4"	7/16" - 20	7/16" - 20	14	31	9	14
1907-04-05	6	1/4"	7/16" - 20	1/2" - 20	14	31	9	17
1907-04-06	6	1/4"	7/16" - 20	9/16" - 18	14	32	10	17
1907-05-05	8	5/16"	1/2" - 20	1/2" - 20	14	31	9	17
1907-05-08	8	5/16"	1/2" - 20	3/4" - 14	14	35	11	22
1907-06-06	10	3/8"	9/16" - 18	9/16" - 18	14	33	10	17
1907-06-08	10	3/8"	9/16" - 18	3/4" - 14	14	35	11	22
1907-08-08	12	1/2"	3/4" - 14	3/4" - 14	17	38	11	22
1907-08-10	12	1/2"	3/4" - 14	7/8" - 14	17	39	13	27
1907-10-08	14	5/8"	7/8" - 14	3/4" - 14	19	38	11	24
1907-10-10	15	5/8"	7/8" - 14	7/8" - 14	19	43	13	27
1907-10-12	16	5/8"	7/8" - 14	1.1/16" - 12	19	47	15	32
1907-12-10	20	3/4"	1.1/16" - 12	7/8" - 14	22	46	13	27
1907-12-12	20	3/4"	1.1/16" - 12	1.1/16" - 12	22	50	15	32
1907-12-16	20	3/4"	1.1/16" - 12	1.5/16" - 12	22	51	15	38
1907-16-12	25	1"	1.5/16" - 12	1.1/16" - 12	23	51	15	34
1907-16-16	25	1"	1.5/16" - 12	1.5/16" - 12	23	52	15	38
1907-20-20	32	1.1/4"	1.5/8" - 12	1.5/8" - 12	24	55	15	50
1907-24-24	38	1.1/2"	1.7/8" - 12	1.7/8" - 12	28	60	15	55

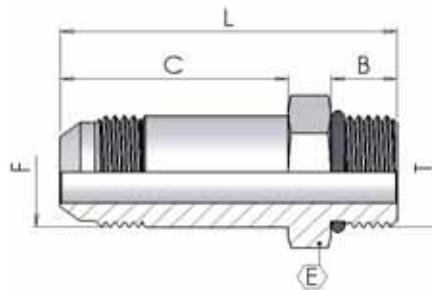
## 5205

### Коннектор удлиненный JIC X UNF

Long Male Connector Jic/UNF

**Резьба / Thread:**

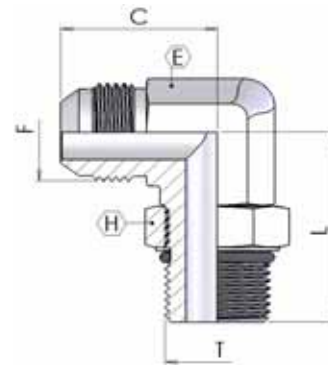
UNF/UN (ISO 11926-1)



part number	Ø tube		Dimensions					
	mm	inch	F	T	L	B	C	E
5205-04-04	6	1/4"	7/16-20	7/16-20	53	9	36	14
5205-05-05	8	5/16"	1/2-20	1/2-20	54	9	37	16
5205-06-06	10	3/8"	9/16-18	9/16-18	59	10	40	17
5205-08-06	10	3/8"	9/16-18	3/4-16	60	11	40	22
5205-08-08	12	1/2"	3/4-16	3/4-16	68	11	48	22
5205-08-10	14-16	5/8"	7/8-14	3/4-16	75	11	53	24
5205-10-08	12	1/2"	3/4-16	7/8-14	72	13	48	27
5205-10-10	14-16	5/8"	7/8-14	7/8-14	77	13	53	27
5205-10-12	18-20	3/4"	1.1/16-12	7/8-14	89	13	64	27
5205-12-10	14-16	5/8"	7/8-14	1.1/16-12	81	15	53	32
5205-12-12	18-20	3/4"	1.1/16-12	1.1/16-12	92	15	64	32
5205-16-12	18-20	3/4"	1.1/16-12	1.5/16-12	93	15	64	35
5205-16-16	25	1"	1.5/16-12	1.5/16-12	101	15	72	35
5205-20-20	30-32	1.1/4"	1.5/8-12	1.5/8-12	119	15	88	50
5205-24-24	38	1.1/2"	1.7/8-12	1.7/8-12	131	15	99	55

### 5190 **Коннектор 90° регулируемый JIC X UNF**

90° elbow "adjustable" connector JIC male X UNF straight thread male

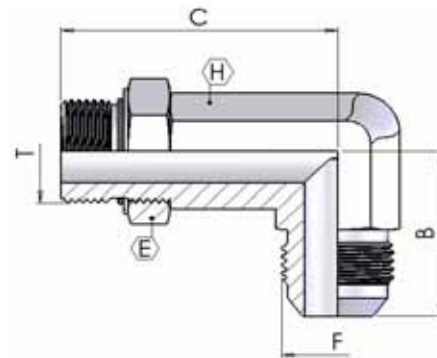


**Резьба / Thread:**  
UNF/UN (ISO 11926-1)

part number	Ø tube		Dimensions					
	mm	inch	F	T	C	L	H	E
5190-04	6	1/4"	7/16" - 20	7/16" - 20	24	26	14	11
5190-05	8	5/16"	1/2" - 20	1/2" - 20	26	32	17	14
5190-06	10	3/8"	9/16" - 18	9/16" - 18	26	32	17	14
5190-08	12	1/2"	3/4" - 16	3/4" - 16	31	37	22	19
5190-10	16	5/8"	7/8" - 14	7/8" - 14	35	43	25	22
5190-12	20	3/4"	1.1/16" - 12	1.1/16" - 12	41	49	32	27
5190-16	25	1"	1.5/16" - 12	1.5/16" - 12	47	52	38	35
5190-20	32	1.1/4"	1.5/8" - 12	1.5/8" - 12	57	57	48	43

### 5195 **Коннектор регулируемый удлиненный JIC X UNF**

45° elbow "adjustable" connector JIC male X UNF straight thread male

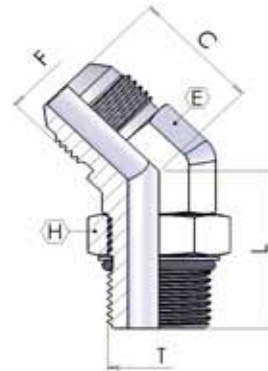


**Резьба / Thread:**  
UNF/UN (ISO 11926-1)

part number	Ø tube		Dimensions					
	mm	inch	F	T	B	C	E	H
5195-04-04	6	1/4"	7/16-20	7/16-20	23	46	14	12
5195-05-05	8	5/16"	1/2-20	1/2-20	24	50	16	14
5195-06-06	10	3/8"	9/16-18	9/16-18	27	57	17	14
5195-08-06	10	3/8"	9/16-18	3/4-16	29	67	22	19
5195-08-08	12	1/2"	3/4-16	3/4-16	32	67	22	19
5195-08-10	14-16	5/8"	7/8-14	3/4-16	37	75	22	22
5195-10-08	12	1/2"	3/4-16	7/8-14	34	78	27	22
5195-10-10	14-16	5/8"	7/8-14	7/8-14	37	78	27	22
5195-10-12	18-20	3/4"	1.1/16-12	7/8-14	42	88	27	27
5195-12-10	14-16	5/8"	7/8-14	1.1/16-12	40	92	32	27
5195-12-12	18-20	3/4"	1.1/16-12	1.1/16-12	42	92	32	27
5195-16-12	18-20	3/4"	1.1/16-12	1.5/16-12	45	105	41	33
5195-16-16	25	1"	1.5/16-12	1.5/16-12	46	105	41	33
5195-20-20	30-32	1.1/4"	1.5/8-12	1.5/8-12	52	124	50	41
5195-24-24	38	1.1/2"	1.7/8-12	1.7/8-12	59	135	55	48

## 5200 **Коннектор 45° регулируемый JIC X UNF**

45° elbow "adjustable" connector JIC male X UNF  
straight thread male

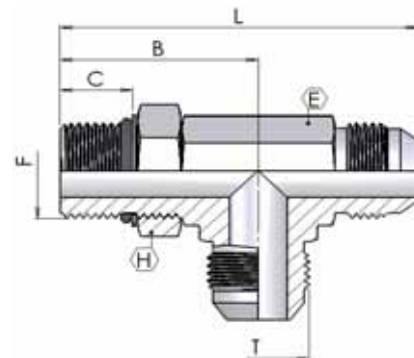


**Резьба / Thread:**  
UNF/UN (ISO 11926-1)

part number	Ø tube		Dimensions					
	mm	inch	F	T	C	L	H	E
5200-04	6	1/4"	7/16" - 20	7/16" - 20	19	27	14	11
5200-05	8	5/16"	1/2" - 20	1/2" - 20	22	29	17	14
5200-06	10	3/8"	9/16" - 18	9/16" - 18	22	29	17	14
5200-08	12	1/2"	3/4" - 16	3/4" - 16	26	33	22	19
5200-10	16	5/8"	7/8" - 14	7/8" - 14	30	39	25	22
5200-12	20	3/4"	1.1/16" - 12	1.1/16" - 12	35	44	32	27
5200-16	25	1"	1.5/16" - 12	1.5/16" - 12	39	47	38	35
5200-20	32	1.1/4"	1.5/8" - 12	1.5/8" - 12	40	49	48	43

## 5210 **Тройник регулируемый UNF**

Adjustable UNF male run Tee

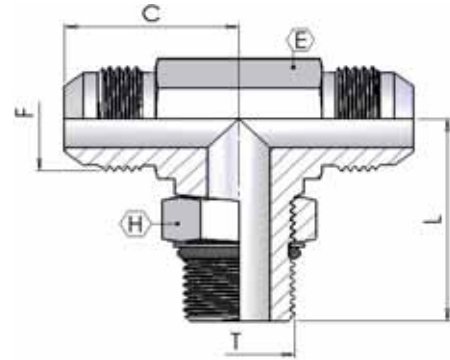


**Резьба / Thread:**  
UNF/UN (ISO 11926-1)

part number	Ø tube		Dimensions					
	mm	inch	F	T	C	L	B	E
5210-04	6	1/4"	7/16" - 20	7/16" - 20	10	49	26	11
5210-05	8	5/16"	1/2" - 20	1/2" - 20	11	52	28	13
5210-06	10	3/8"	9/16" - 18	9/16" - 18	11	59	32	14
5210-08	12	1/2"	3/4" - 16	3/4" - 16	13	69	37	19
5210-10	16	5/8"	7/8" - 14	7/8" - 14	14	80	43	22
5210-12	20	3/4"	1.1/16" - 12	1.1/16" - 12	17	91	49	27
5210-16	25	1"	1.5/16" - 12	1.5/16" - 12	17	98	52	33

## 5220 **Тройник регулируемый UNF**

Adjustable UNF male branch Tee



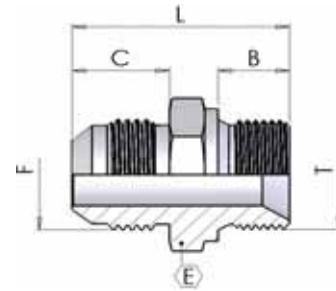
**Резьба / Thread:**

UNF/UN (ISO 11926-1)

part number	Ø tube		Dimensions					
	mm	inch	F	T	C	L	H	E
5220-04	6	1/4"	7/16" - 20	7/16" - 20	23	26	14	11
5220-05	8	5/16"	1/2" - 20	1/2" - 20	24	28	16	13
5220-06	10	3/8"	9/16" - 18	9/16" - 18	27	32	17	14
5220-08	12	1/2"	3/4" - 16	3/4" - 16	32	37	22	19
5220-10	16	5/8"	7/8" - 14	7/8" - 14	37	43	27	22
5220-12	20	3/4"	1.1/16" - 12	1.1/16" - 12	42	49	32	27
5220-16	25	1"	1.5/16" - 12	1.5/16" - 12	46	52	38	33

## 1905 **Коннектор BSP X JIC**

Connector BSP parallel thread male X JIC male



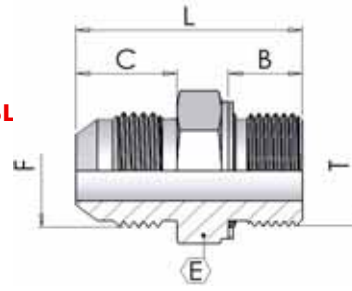
**Резьба / Thread:**

BSPP (Form A DIN 3852)

part number	Ø tube		Dimensions					
	mm	inch	F	T	C	L	B	E
1905-02-04	6	1/4"	7/16" - 20	1/8"	14	29	8	14
1905-04-04	6	1/4"	7/16" - 20	1/4"	14	34	12	19
1905-04-05	8	5/16"	1/2" - 20	1/4"	14	34	12	19
1905-04-06	10	3/8"	9/16" - 18	1/4"	14	34	12	19
1905-06-05	8	5/16"	1/2" - 20	3/8"	14	36	12	22
1905-06-06	10	3/8"	9/16" - 18	3/8"	14	36	12	22
1905-06-08	12	1/2"	3/4" - 16	3/8"	17	38	12	22
1905-06-10	14	5/8"	7/8" - 14	3/8"	19	42	12	24
1905-08-06	10	3/8"	9/16" - 18	1/2"	14	39	14	27
1905-08-08	12	1/2"	3/4" - 16	1/2"	17	42	14	27
1905-08-10	15	5/8"	7/8" - 14	1/2"	19	44	14	27
1905-08-12	20	3/4"	1.1/16" - 12	1/2"	22	47	14	27
1905-10-10	14	5/8"	7/8" - 14	5/8"	19	46	16	30
1905-10-12	14	5/8"	1.1/16" - 12	5/8"	22	49	16	30
1905-12-10	14	5/8"	7/8" - 14	3/4"	19	46	16	32
1905-12-12	20	3/4"	1.1/16" - 12	3/4"	22	49	16	32
1905-12-16	25	1"	1.5/16" - 12	3/4"	23	52	16	34
1905-16-12	20	3/4"	1.1/16" - 12	1"	22	52	18	41
1905-16-16	25	1"	1.5/16" - 12	1"	23	54	18	41
1905-16-20	32	1.1/4"	1.5/8" - 12	1"	24	57	18	42
1905-20-20	32	1.1/4"	1.5/8" - 12	1.1/4"	24	58	20	50
1905-24-20	32	1.1/4"	1.5/8" - 12	1.1/2"	24	59	22	55
1905-24-24	38	1.1/2"	1.7/8" - 12	1.1/2"	28	63	22	55

**1915 Коннектор JIC/BSP уплотнительное кольцо**

Male Connector Jic/BSP O'Ring

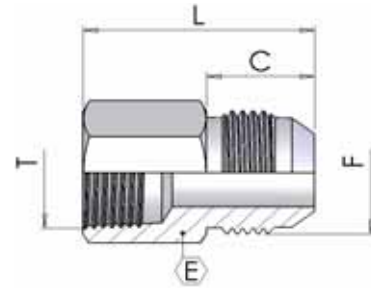


**Резьба / Thread:**  
BSPP (ISO 1179-3)

part number	Ø tube		Dimensions					
	mm	inch	F	T	L	B	C	E
1915-02-04	6	1/4"	7/16-20	1/8-28	29	8	14	14
1915-02-05	8	5/16"	1/2-20	1/8-28	29	8	14	16
1915-04-04	6	1/4"	7/16-20	1/4-19	35	12	14	19
1915-04-05	8	5/16"	1/2-20	1/4-19	35	12	14	19
1915-04-06	10	3/8"	9/16-18	1/4-19	35	12	14	19
1915-04-08	12	1/2"	3/4-16	1/4-19	38	12	17	22
1915-06-04	6	1/4"	7/16-20	3/8-19	35	12	14	24
1915-06-05	8	5/16"	1/2-20	3/8-19	35	12	14	24
1915-06-06	10	3/8"	9/16-18	3/8-19	35	12	14	24
1915-06-08	12	1/2"	3/4-16	3/8-19	38	12	17	24
1915-06-10	14-16	5/8"	7/8-14	3/8-19	41	12	20	24
1915-08-06	10	3/8"	9/16-18	1/2-14	38	14	14	27
1915-08-08	12	1/2"	3/4-16	1/2-14	41	14	17	27
1915-08-10	14-16	5/8"	7/8-14	1/2-14	44	14	20	27
1915-08-12	18-20	3/4"	1.1/16-12	1/2-14	47	14	22	27
1915-12-08	12	1/2"	3/4-16	3/4-11	45	16	17	36
1915-12-10	14-16	5/8"	7/8-14	3/4-11	48	16	20	36
1915-12-12	18-20	3/4"	1.1/16-12	3/4-11	50	16	22	36
1915-12-16	25	1"	1.5/16-12	3/4-11	51	16	23	36
1915-16-12	18-20	3/4"	1.1/16-12	1-11	53	18	22	41
1915-16-16	25	1"	1.5/16-12	1-11	54	18	23	41
1915-16-20	30-32	1.1/4"	1.5/8-12	1-11	56	18	25	42
1915-20-16	25	1"	1.5/16-12	1.1/4-11	57	20	23	50
1915-20-20	30-32	1.1/4"	1.5/8-12	1.1/4-11	59	20	25	50
1915-24-24	38	1.1/2"	1.7/8-12	1.1/2-11	66	22	28	60

## 5185 **Коннектор BSP X JIC**

Connector BSP female X JIC male

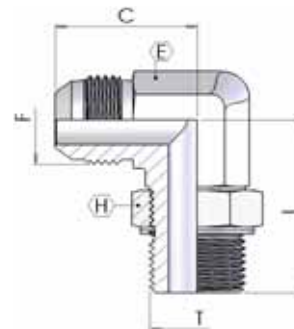


part number	Ø tube		Dimensions					
	mm	inch	F	T	C	L	E	
5185-02-04	6	1/4"	7/16-20	1/8-28	14	28	19	
5185-02-05	8	5/16"	1/2-20	1/8-28	14	28	19	
5185-04-04	6	1/4"	7/16-20	1/4-19	14	31	19	
5185-04-05	8	5/16"	1/2-20	1/4-19	14	31	19	
5185-04-06	10	3/8"	9/16-18	1/4-19	14	31	22	
5185-04-08	12	1/2"	3/4-16	1/4-19	17	36	27	
5185-06-06	10	3/8"	9/16-18	3/8-19	14	36	22	
5185-06-08	12	1/2"	3/4-16	3/8-19	17	36	27	
5185-08-06	10	3/8"	9/16-18	1/2-14	14	41	22	
5185-08-08	12	1/2"	3/4-16	1/2-14	17	41	27	
5185-08-10	16	5/8"	7/8-14	1/2-14	20	42	32	
5185-08-12	20	3/4"	1.1/16-12	1/2-14	22	45	32	
5185-12-12	20	3/4"	1.1/16-12	3/4-11	22	48	32	
5185-16-16	25	1"	1.5/16-12	1-11	23	55	41	

## 5230 **Коннектор 90° регулируемый JIC X BSP**

90° elbow "adjustable" connector JIC male X BSP  
straight thread male

**Резьба / Thread:**  
BSPP (ISO 1179-3)

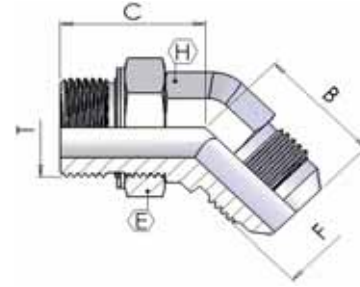


part number	Ø tube		Dimensions						
	mm	inch	F	T	C	L	H	E	
5230-02-04	6	1/4"	7/16" - 20	1/8"	23	26	14	11	
5230-04-04	6	1/4"	7/16" - 20	1/4"	24	32	19	14	
5230-04-05	8	5/16"	1/2" - 20	1/4"	24	33	19	14	
5230-04-06	10	3/8"	9/16" - 18	1/4"	27	32	19	14	
5230-06-06	10	3/8"	9/16" - 18	3/8"	29	37	22	19	
5230-06-08	12	1/2"	3/4" - 16	3/8"	32	37	22	19	
5230-06-10	14	5/8"	7/8" - 14	3/8"	37	43	22	22	
5230-08-08	12	1/2"	3/4" - 16	1/2"	34	43	27	22	
5230-08-10	15	5/8"	7/8" - 14	1/2"	37	43	27	22	
5230-08-12	20	3/4"	1.1/16" - 12	1/2"	42	47	27	27	
5230-12-10	16	5/8"	7/8" - 14	3/4"	37	50	36	27	
5230-12-12	20	3/4"	1.1/16" - 12	3/4"	42	50	36	27	
5230-16-16	25	1"	1.5/16" - 12	1"	46	52	41	33	
5230-20-20	32	1.1/4"	1.5/8" - 12	1.1/4"	52	57	50	41	
5230-24-24	38	1.1/2"	1.7/8" - 12	1.1/2"	59	61	55	48	

## 5235 **Коннектор 45° регулируемый JIC X BSP**

Adjustable BSP male run Tee

**Резьба / Thread:**  
BSPP (ISO 1179-3)

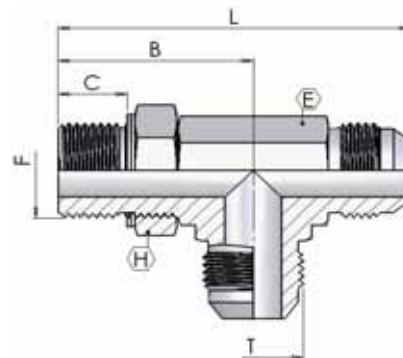


part number	Ø tube		Dimensions					
	mm	inch	F	T	B	C	H	E
5235-02-04	6	1/4"	7/16-20	1/8-28	19	27	14	12
5235-02-05	8	5/16"	1/2-20	1/8-28	20	27	14	14
5235-04-04	6	1/4"	7/16-20	1/4-19	21	29	19	14
5235-04-05	8	5/16"	1/2-20	1/4-19	21	29	19	14
5235-04-06	10	3/8"	9/16-18	1/4-19	21	29	19	14
5235-04-08	12	1/2"	3/4-16	1/4-19	25	30	19	19
5235-06-04	6	1/4"	7/16-20	3/8-19	21	33	24	19
5235-06-05	8	5/16"	1/2-20	3/8-19	21	33	24	19
5235-06-06	10	3/8"	9/16-18	3/8-19	22	33	24	19
5235-06-08	12	1/2"	3/4-16	3/8-19	25	33	24	19
5235-06-10	14-16	5/8"	7/8-14	3/8-19	28	35	24	22
5235-08-06	10	3/8"	9/16-18	1/2-14	23	39	27	22
5235-08-08	12	1/2"	3/4-16	1/2-14	25	39	27	22
5235-08-10	14-16	5/8"	7/8-14	1/2-14	28	39	27	22
5235-08-12	18-20	3/4"	1.1/16-12	1/2-14	33	41	27	27
5235-12-08	12	1/2"	3/4-16	3/4-11	28	44	36	27
5235-12-10	14-16	5/8"	7/8-14	3/4-11	30	44	36	27
5235-12-12	18-20	3/4"	1.1/16-12	3/4-11	33	44	36	27
5235-12-16	25	1"	1.5/16-12	3/4-11	37	47	36	33
5235-16-12	18-20	3/4"	1.1/16-12	1-11	36	47	41	33
5235-16-16	25	1"	1.5/16-12	1-11	37	47	41	33
5235-16-20	30-32	1.1/4"	1.5/8-12	1-11	41	49	41	41
5235-20-16	25	1"	1.5/16-12	1.1/4-11	39	49	50	41
5235-20-20	30-32	1.1/4"	1.5/8-12	1.1/4-11	41	49	50	41
5235-24-24	38	1.1/2"	1.7/8-12	1.1/2-11	45	49	60	48

## 5240 **Тройник регулируемый BSP**

Adjustable BSP male run Tee

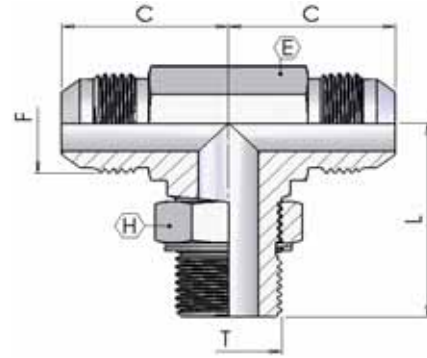
**Резьба / Thread:**  
BSPP (ISO 1179-3)



part number	Ø tube		Dimensions					
	mm	inch	T	F	C	L	B	E
5240-02-04	6	1/4"	7/16" - 20	1/8"	6	49	26	11
5240-04-05	8	5/16"	1/2" - 20	1/4"	11	56	32	14
5240-04-06	10	3/8"	9/16" - 18	1/4"	11	59	32	14
5240-06-06	10	3/8"	9/16" - 18	3/8"	11	64	37	19
5240-06-08	12	1/2"	3/4" - 16	3/8"	11	69	37	19
5240-08-10	16	5/8"	7/8" - 14	1/2"	13	80	43	22
5240-12-10	14-16	5/8"	7/8" - 14	3/4"	13	88	49,3	27
5240-12-12	20	3/4"	1.1/16" - 12	3/4"	13	92	50	27
5240-16-16	25	1"	1.5/16" - 12	1"	16	98	52	33

## 5250 **Тройник регулируемый BSP**

Adjustable BSP male branch Tee

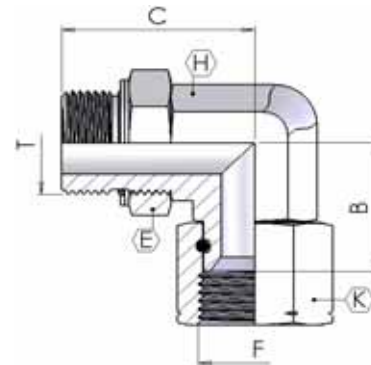


**Резьба / Thread:**  
BSPP (ISO 1179-3)

part number	Ø tube		Dimensions					
	mm	inch	F	T	C	L	H	E
5250-02-04	6	1/4"	7/16" - 20	1/8"	23	26	14	11
5250-04-05	8	5/16"	1/2" - 20	1/4"	24	32	19	14
5250-04-06	10	3/8"	9/16" - 18	1/4"	27	32	19	14
5250-06-06	10	3/8"	9/16" - 18	3/8"	27	37	22	19
5250-06-08	12	1/2"	3/4" - 16	3/8"	32	37	22	19
5250-08-08	12	1/2"	3/4" - 16	1/2"	34	43	27	22
5250-08-10	16	5/8"	7/8" - 14	1/2"	37	43	27	22
5250-12-12	20	3/4"	1.1/16" - 12	3/4"	42	50	36	27
5250-16-16	25	1"	1.5/16" - 12	1"	46	52	41	33

## 5255 **Регулируемый адаптер JIC/BSP**

Adjustable Elbow with Swivel Nut JIC/BSP

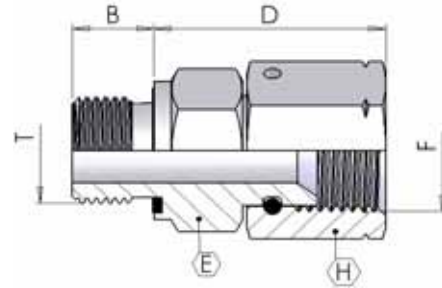


**Резьба / Thread:**  
BSPP (ISO 1179-3)

part number	Ø tube		Dimensions						
	mm	inch	F	T	B	C	E	H	K
5255-02-04	6	1/4"	7/16-20	1/8-28	18	26	14	12	17
5255-04-04	6	1/4"	7/16-20	1/4-19	18	32	19	14	17
5255-04-05	8	5/16"	1/2-20	1/4-19	19	32	19	14	17
5255-04-06	10	3/8"	9/16-18	1/4-19	23	32	19	14	19
5255-04-08	12	1/2"	3/4-16	1/4-19	24	35	19	19	24
5255-06-05	8	5/16"	1/2-20	3/8-19	22	37	22	19	17
5255-06-06	10	3/8"	9/16-18	3/8-19	23	37	22	19	19
5255-06-08	12	1/2"	3/4-16	3/8-19	25	37	22	19	24
5255-06-10	14-16	5/8"	7/8-14	3/8-19	26	40	22	22	27
5255-08-08	12	1/2"	3/4-16	1/2-14	27	43	27	22	24
5255-08-10	14-16	5/8"	7/8-14	1/2-14	29	43	27	22	27
5255-08-12	18-20	3/4"	1.1/16-12	1/2-14	31	46	27	27	32
5255-12-10	14-16	5/8"	7/8-14	3/4-11	29	55	36	27	27
5255-12-12	18-20	3/4"	1.1/16-12	3/4-11	31	55	36	27	32
5255-12-16	25	1"	1.5/16-12	3/4-11	36	58	36	33	41
5255-16-12	18-20	3/4"	1.1/16-12	1-11	36	60	41	33	32
5255-16-16	25	1"	1.5/16-12	1-11	38	60	41	33	41
5255-20-20	30-32	1.1/4"	1.5/8-12	1.1/4-11	46	62	50	42	50
5255-24-24	38	1.1/2"	1.7/8-12	1.1/2-11	53	65	55	48	55

## 5036 **Адаптер JIC X BSP уплотнение ED (DIN 3852 форма E)**

Connector swivel JIC female X BSP male with "ED" seal



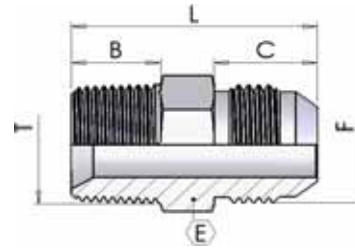
**Резьба / Thread:**

BSPP (Form E DIN 3852)

part number	Ø tube		Dimensions					
	mm	inch	F	T	B	D	H	E
5036-02-04	6	1/4"	7/16"-20	1/8"	8	26	14	14
5036-02-05	8	5/16"	1/2"-20	1/8"	8	28	17	14
5036-04-04	6	1/4"	7/16"-20	1/4"	12	26	14	19
5036-04-05	8	5/16"	1/2"-20	1/4"	12	27	17	19
5036-04-06	10	3/8"	9/16"-18	1/4"	12	28	19	19
5036-04-08	12	1/2"	3/4"-16	1/4"	12	30	22	19
5036-06-04	6	1/4"	7/16"-20	3/8"	12	28	14	22
5036-06-05	8	5/16"	1/2"-20	3/8"	12	29	17	22
5036-06-06	10	3/8"	9/16"-18	3/8"	12	30	19	22
5036-06-08	12	1/2"	3/4"-16	3/8"	12	32	22	22
5036-06-10	16	5/8"	7/8"-14	3/8"	12	36	27	22
5036-08-06	10	3/8"	9/16"-18	1/2"	14	31	19	27
5036-08-08	12	1/2"	3/4"-16	1/2"	14	34	22	27
5036-08-10	16	5/8"	7/8"-14	1/2"	14	38	27	27
5036-08-12	20	3/4"	1.1/16"-12	1/2"	14	38	32	27
5036-12-10	16	5/8"	7/8"-14	3/4"	16	39	27	32
5036-12-12	20	3/4"	1.1/16"-12	3/4"	16	39	32	32
5036-12-16	25	1"	1.5/16"-12	3/4"	16	43	41	32
5036-16-12	20	3/4"	1.1/16"-12	1"	18	41	32	41
5036-16-16	25	1"	1.5/16"-12	1"	18	44	41	41
5036-16-20	32	1.1/4"	1.5/8"-12	1"	18	45	50	41
5036-20-16	25	1"	1.5/16"-12	1.1/4"	20	47	41	50
5036-20-20	32	1.1/4"	1.5/8"-12	1.1/4"	20	47	50	50
5036-20-24	32	1.1/4"	1.7/8"-12	1.1/4"	20	54	60	50
5036-24-24	38	1.1/2"	1.7/8"-12	1.1/2"	22	55	60	55

## 1903 **Коннектор JIC/BSPT**

Male Connector Jic/BSPT



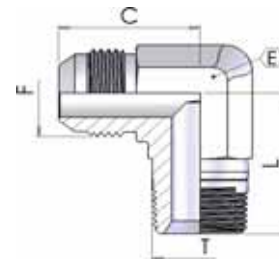
**Резьба / Thread:**

BSPT (Form C DIN 3852)

part number	Ø tube		Dimensions					
	mm	inch	F	T	L	B	C	E
1903-02-04	6	1/4"	7/16-20	1/8-28	31	10	14	13
1903-02-05	8	5/16"	1/2-20	1/8-28	31	10	14	14
1903-04-04	6	1/4"	7/16-20	1/4-19	36	15	14	14
1903-04-05	8	5/16"	1/2-20	1/4-19	36	15	14	14
1903-04-06	10	3/8"	9/16-18	1/4-19	36	15	14	16
1903-04-08	12	1/2"	3/4-16	1/4-19	39	15	17	19
1903-06-06	10	3/8"	9/16-18	3/8-19	36	15	14	19
1903-06-08	12	1/2"	3/4-16	3/8-19	39	15	17	19
1903-06-10	14-16	5/8"	7/8-14	3/8-19	44	15	20	24
1903-08-08	12	1/2"	3/4-16	1/2-14	36	19	17	22
1903-08-10	14-16	5/8"	7/8-14	1/2-14	48	19	20	24
1903-08-12	18-20	3/4"	1.1/16-12	1/2-14	53	19	22	27
1903-12-10	14-16	5/8"	7/8-14	3/4-11	50	19	20	27
1903-12-12	18-20	3/4"	1.1/16-12	3/4-11	53	19	22	27
1903-12-16	25	1"	1.5/16-12	3/4-11	54	19	23	36
1903-16-12	18-20	3/4"	1.1/16-12	1-11	58	24	22	36
1903-16-16	25	1"	1.5/16-12	1-11	59	24	23	36
1903-16-20	30-32	1.1/4"	1.5/8-12	1-11	62	24	25	42
1903-20-20	30-32	1.1/4"	1.5/8-12	1.1/4-11	62	25	25	46
1903-20-24	38	1.1/2"	1.7/8-12	1.1/4-11	67	25	28	50
1903-24-24	38	1.1/2"	1.7/8-12	1.1/2-11	68	25	28	50

## 5165 **Адаптер 90° JIC/BSPT**

Male 90° Elbow Jic/BSPT



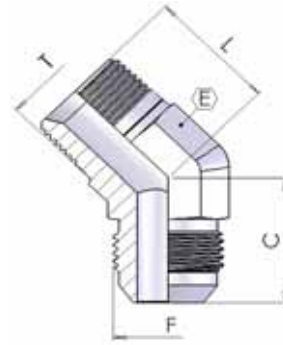
**Резьба / Thread:**

BSPT (Form C DIN 3852)

part number	Ø tube		Dimensions				
	mm	inch	F	T	L	C	E
5165-02-04	6	1/4"	7/16"-20	1/8-28	20	23	12
5165-02-05	8	5/16"	1/2"-20	1/8-28	20	24	14
5165-04-04	6	1/4"	7/16"-20	1/4-19	28	27	14
5165-04-05	8	5/16"	1/2"-20	1/4-19	28	27	14
5165-04-06	10	3/8"	9/16"-18	1/4-19	28	27	14
5165-04-08	12	1/2"	3/4"-16	1/4-19	31	32	19
5165-06-06	10	3/8"	9/16"-18	3/8-19	31	29	14
5165-06-08	12	1/2"	3/4"-16	3/8-19	31	32	19
5165-06-10	14-16	5/8"	7/8"-14	3/8-19	33	37	22
5165-08-08	12	1/2"	3/4"-16	1/2-14	38	34	22
5165-08-10	14-16	5/8"	7/8"-14	1/2-14	38	37	22
5165-08-12	18-20	3/4"	1.1/16"-12	1/2-14	41	42	27
5165-12-10	14-16	5/8"	7/8"-14	3/4-11	41	40	27
5165-12-12	18-20	3/4"	1.1/16"-12	3/4-11	41	42	27
5165-12-16	25	1"	1.5/16"-12	3/4-11	45	46	33
5165-16-12	18-20	3/4"	1.1/16"-12	1-11	50	45	33
5165-16-16	25	1"	1.5/16"-12	1-11	50	46	33
5165-16-20	30-32	1.1/4"	1.5/8"-12	1-11	60	52	41
5165-20-20	30-32	1.1/4"	1.5/8"-12	1.1/4-11	61	52	41
5165-20-24	38	1.1/2"	1.7/8"-12	1.1/4-11	66	59	48
5165-24-24	38	1.1/2"	1.7/8"-12	1.1/2-11	67	59	48

**5265 Коннектор 45° наружные резьбы JIC/B**

Male 45° Elbow Jic/BSPT


**Резьба / Thread:**

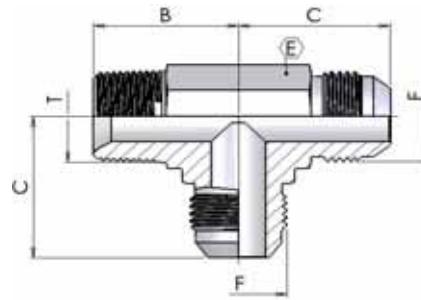
BSPT (Form C DIN 3852)

part number	Ø tube		Dimensions					
	mm	inch	F	T	L	C	E	
5265-02-04	6	1/4"	7/16-20	1/8-28	17	19	12	
5265-02-05	8	5/16"	1/2-20	1/8-28	17	20	14	
5265-04-04	6	1/4"	7/16-20	1/4-19	22	21	14	
5265-04-05	8	5/16"	1/2-20	1/4-19	22	21	14	
5265-04-06	10	3/8"	9/16-18	1/4-19	22	21	14	
5265-04-08	12	1/2"	3/4-16	1/4-19	24	25	19	
5265-06-06	10	3/8"	9/16-18	3/8-19	24	22	14	
5265-06-08	12	1/2"	3/4-16	3/8-19	24	25	19	
5265-06-10	14-16	5/8"	7/8-14	3/8-19	25	28	22	
5265-08-08	12	1/2"	3/4-16	1/2-14	30	25	22	
5265-08-10	14-16	5/8"	7/8-14	1/2-14	30	28	22	
5265-08-12	18-20	3/4"	1.1/16-12	1/2-14	31	33	27	
5265-12-10	14-16	5/8"	7/8-14	3/4-11	31	30	27	
5265-12-12	18-20	3/4"	1.1/16-12	3/4-11	31	33	27	
5265-12-16	25	1"	1.5/16-12	3/4-11	33	37	33	
5265-16-12	18-20	3/4"	1.1/16-12	1-11	38	36	33	
5265-16-16	25	1"	1.5/16-12	1-11	38	37	33	
5265-16-20	30-32	1.1/4"	1.5/8-12	1-11	42	41	41	
5265-20-20	30-32	1.1/4"	1.5/8-12	1.1/4-11	43	41	41	
5265-20-24	38	1.1/2"	1.7/8-12	1.1/4-11	44	45	48	
5265-24-24	38	1.1/2"	1.7/8-12	1.1/2-11	45	45	48	

**5275 Тройник JIC/BSPT**

Run Tee Jic/BSPT

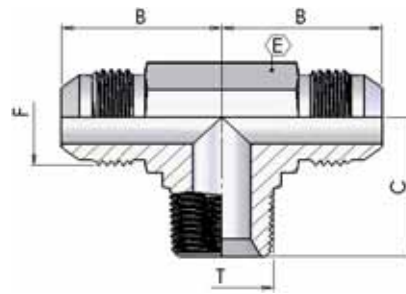
**Резьба / Thread:**  
BSPT (Form C DIN 3852)



part number	Ø tube		Dimensions					
	mm	inch	F	T	B	C	E	
5275-02-04	6	1/4"	7/16-20	1/8	23	20	12	
5275-02-05	8	5/16"	1/2-20	1/8	24	20	14	
5275-04-04	6	1/4"	7/16-20	1/4	27	28	14	
5275-04-05	8	5/16"	1/2-20	1/4	27	28	14	
5275-04-06	10	3/8"	9/16-18	1/4	27	28	14	
5275-04-08	12	1/2"	3/4-16	1/4	32	31	19	
5275-06-06	10	3/8"	9/16-18	3/8	29	31	14	
5275-06-08	12	1/2"	3/4-16	3/8	32	31	19	
5275-06-10	14-16	5/8"	7/8-14	3/8	37	33	22	
5275-08-08	12	1/2"	3/4-16	1/2	34	38	22	
5275-08-10	14-16	5/8"	7/8-14	1/2	37	38	22	
5275-08-12	18-20	3/4"	1.1/16-12	1/2	42	41	27	
5275-12-10	14-16	5/8"	7/8-14	3/4	40	41	27	
5275-12-12	18-20	3/4"	1.1/16-12	3/4	42	41	27	
5275-12-16	25	1"	1.5/16-12	3/4	46	45	33	
5275-16-12	18-20	3/4"	1.1/16-12	1	45	50	33	
5275-16-16	25	1"	1.5/16-12	1	46	50	33	
5275-16-20	30-32	1.1/4"	1.5/8-12	1	52	60	41	
5275-20-20	30-32	1.1/4"	1.5/8-12	1.1/4	52	61	41	
5275-20-24	38	1.1/2"	1.7/8-12	1.1/4	59	66	48	
5275-24-24	38	1.1/2"	1.7/8-12	1.1/2	59	67	48	

**5280 Тройник JIC/BSPT**

Branch Tee Jic/BSPT

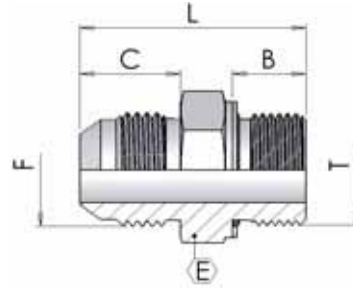


**Резьба / Thread:**  
BSPT (Form C DIN 3852)

part number	Ø tube		Dimensions					
	mm	inch	F	T	B	C	E	
5280-02-04	6	1/4"	7/16-20	1/8	23	20	12	
5280-02-05	8	5/16"	1/2-20	1/8	24	20	14	
5280-04-04	6	1/4"	7/16-20	1/4	27	28	14	
5280-04-05	8	5/16"	1/2-20	1/4	27	28	14	
5280-04-06	10	3/8"	9/16-18	1/4	27	28	14	
5280-04-08	12	1/2"	3/4-16	1/4	32	31	19	
5280-06-06	10	3/8"	9/16-18	3/8	29	31	14	
5280-06-08	12	1/2"	3/4-16	3/8	32	31	19	
5280-06-10	14-16	5/8"	7/8-14	3/8	37	33	22	
5280-08-08	12	1/2"	3/4-16	1/2	34	38	22	
5280-08-10	14-16	5/8"	7/8-14	1/2	37	38	22	
5280-08-12	18-20	3/4"	1.1/16-12	1/2	42	41	27	
5280-12-10	14-16	5/8"	7/8-14	3/4	40	41	27	
5280-12-12	18-20	3/4"	1.1/16-12	3/4	42	41	27	
5280-12-16	25	1"	1.5/16-12	3/4	46	45	33	
5280-16-12	18-20	3/4"	1.1/16-12	1	45	50	33	
5280-16-16	25	1"	1.5/16-12	1	46	50	33	
5280-16-20	30-32	1.1/4"	1.5/8-12	1	52	60	41	
5280-20-20	30-32	1.1/4"	1.5/8-12	1.1/4	52	61	41	
5280-20-24	38	1.1/2"	1.7/8-12	1.1/4	59	66	48	
5280-24-24	38	1.1/2"	1.7/8-12	1.1/2	59	67	48	

**1777 Коннектор JIC/метрика DIN 3852-1**

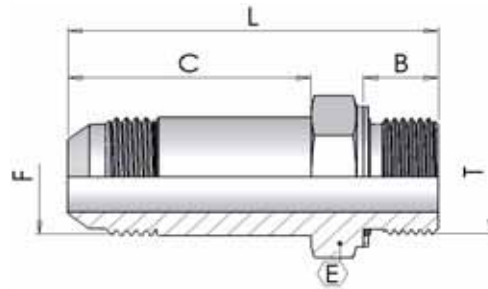
Male Connector Jic/Metric DIN 3852-1

**Резьба / Thread:**  
 Metric Parallel


part number	Ø tube		Dimensions					
	mm	inch	F	T	L	B	C	E
1777-10-04	6	1/4"	7/16-20	M10x1	30	9	14	16
1777-10-05	8	5/16"	1/2-20	M10x1	30	9	14	16
1777-12-04	6	1/4"	7/16-20	M12x1,5	33	12	14	17
1777-12-05	8	5/16"	1/2-20	M12x1,5	33	12	14	17
1777-14-06	10	3/8"	9/16-18	M14x1,5	34	12	14	19
1777-16-06	10	3/8"	9/16-18	M16x1,5	35	13	14	22
1777-16-08	12	1/2"	3/4-16	M16x1,5	38	13	17	22
1777-18-08	12	1/2"	3/4-16	M18x1,5	40	14	17	24
1777-18-10	14-16	5/8"	7/8-14	M18x1,5	42	14	20	24
1777-22-10	14-16	5/8"	7/8-14	M22x1,5	45	15	20	30
1777-22-12	18-20	3/4"	1.1/16-12	M22x1,5	48	15	22	30
1777-27-12	18-20	3/4"	1.1/16-12	M27x2	53	19	22	36
1777-27-16	25	1"	1.5/16-12	M27x2	54	19	23	36
1777-33-16	25	1"	1.5/16-12	M33x2	54	19	23	41
1777-42-20	30	1.1/4"	1.5/8-12	M42x2	58	20	25	50
1777-48-24	38	1.1/2"	1.7/8-12	M48x2	65	22	28	60

**5395 Коннектор удлиненный JIC/метрика DIN 3852-2**

Long Male Connector Jic/Metric DIN 3852-1

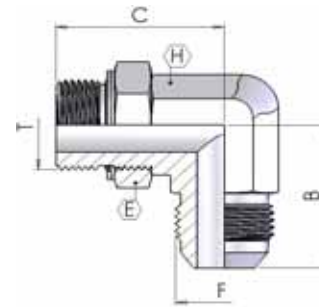
**Резьба / Thread:**  
 Metric Parallel


part number	Ø tube		Dimensions					
	mm	inch	F	T	L	B	C	E
5395-10-04	6	1/4"	7/16-20	M10x1	52	9	36	16
5395-10-05	8	5/16"	1/2-20	M10x1	53	9	37	16
5395-12-04	6	1/4"	7/16-20	M12x1,5	54	12	36	17
5395-12-05	8	5/16"	1/2-20	M12x1,5	56	12	37	17
5395-14-06	10	3/8"	9/16-18	M14x1,5	59	12	40	19
5395-16-06	10	3/8"	9/16-18	M16x1,5	60	13	40	22
5395-16-08	12	1/2"	3/4-16	M16x1,5	69	13	48	22
5395-18-08	12	1/2"	3/4-16	M18x1,5	71	14	48	24
5395-18-10	14-16	5/8"	7/8-14	M18x1,5	76	14	53	24
5395-22-10	14-16	5/8"	7/8-14	M22x1,5	78	15	53	30
5395-22-12	18-20	3/4"	1.1/16-12	M22x1,5	90	15	64	30
5395-27-12	18-20	3/4"	1.1/16-12	M27x2	94	19	64	36
5395-27-16	25	1"	1.5/16-12	M27x2	103	19	72	36
5395-33-16	25	1"	1.5/16-12	M33x2	103	19	72	41
5395-42-20	30	1.1/4"	1.5/8-12	M42x2	122	20	88	50
5395-48-24	38	1.1/2"	1.7/8-12	M48x2	136	22	99	60

## 5400 **Коннектор 90° регулируемый JIC/метрика DIN 3852-1**

Adjustable Elbow JIC/Metric DIN 3852-1

**Резьба / Thread:**  
Metric Parallel

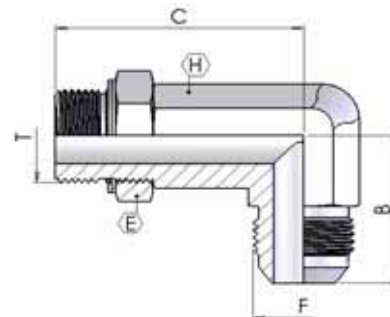


part number	Ø tube		Dimensions					
	mm	inch	F	T	B	C	H	E
5400-10-04	6	1/4"	7/16-20	M10x1	23	27	12	14
5400-10-05	8	5/16"	1/2-20	M10x1	24	27	14	14
5400-12-04	6	1/4"	7/16-20	M12x1,5	27	32	14	17
5400-12-05	8	5/16"	1/2-20	M12x1,5	27	32	14	17
5400-14-06	10	3/8"	9/16-18	M14x1,5	27	32	14	19
5400-16-06	10	3/8"	9/16-18	M16x1,5	29	38	19	22
5400-16-08	12	1/2"	3/4-16	M16x1,5	32	38	19	22
5400-18-08	12	1/2"	3/4-16	M18x1,5	32	40	19	24
5400-18-10	14-16	5/8"	7/8-14	M18x1,5	37	41	22	24
5400-22-10	14-16	5/8"	7/8-14	M22x1,5	37	43	22	27
5400-22-12	18-20	3/4"	1.1/16-12	M22x1,5	42	45	27	27
5400-27-12	18-20	3/4"	1.1/16-12	M27x2	42	52	27	36
5400-27-16	25	1"	1.5/16-12	M27x2	46	52	33	36
5400-33-16	25	1"	1.5/16-12	M33x2	46	53	33	41
5400-42-20	30	1.1/4"	1.5/8-12	M42x2	52	58	41	50
5400-48-24	38	1.1/2"	1.7/8-12	M48x2	59	67	48	60

## 5405 **Коннектор 90° регулируемый удлинненный JIC/метрика DIN 3852-2**

Long Adjustable Elbow JIC/Metric DIN 3852-1

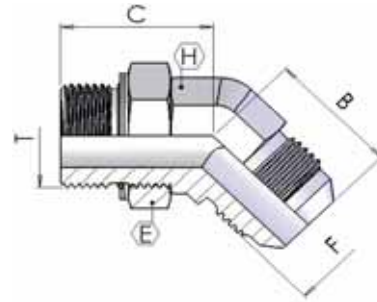
**Резьба / Thread:**  
Metric Parallel



part number	Ø tube		Dimensions					
	mm	inch	F	T	B	C	H	E
5405-10-04	6	1/4"	7/16-20	M10x1	23	46	12	14
5405-10-05	8	5/16"	1/2-20	M10x1	24	50	14	14
5405-12-04	6	1/4"	7/16-20	M12x1,5	27	54	14	17
5405-12-05	8	5/16"	1/2-20	M12x1,5	27	54	14	17
5405-14-06	10	3/8"	9/16-18	M14x1,5	27	57	14	19
5405-16-06	10	3/8"	9/16-18	M16x1,5	29	67	19	22
5405-16-08	12	1/2"	3/4-16	M16x1,5	32	67	19	22
5405-18-08	12	1/2"	3/4-16	M18x1,5	32	67	19	24
5405-18-10	14-16	5/8"	7/8-14	M18x1,5	37	75	22	24
5405-22-10	14-16	5/8"	7/8-14	M22x1,5	37	78	22	27
5405-22-12	18-20	3/4"	1.1/16-12	M22x1,5	42	88	27	27
5405-27-12	18-20	3/4"	1.1/16-12	M27x2	42	95	27	36
5405-27-16	25	1"	1.5/16-12	M27x2	46	105	33	36
5405-33-16	25	1"	1.5/16-12	M33x2	46	105	33	41
5405-42-20	30	1.1/4"	1.5/8-12	M42x2	52	124	41	50
5405-48-24	38	1.1/2"	1.7/8-12	M48x2	59	141	48	60

**5410    Коннектор 45° регулируемый  
JIC/метрика DIN 3852-3**

Adjustable 45° Elbow JIC/Metric DIN 3852-1

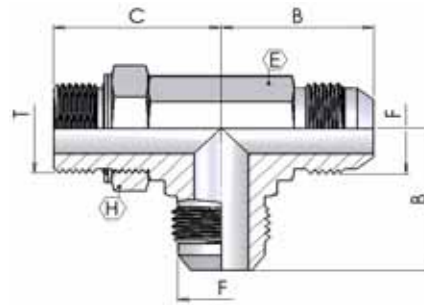

**Резьба / Thread:**  
Metric Parallel

part number	Ø tube		Dimensions					
	mm	inch	F	T	B	C	H	E
5410-10-04	6	1/4"	7/16-20	M10x1	19	27	12	14
5410-10-05	8	5/16"	1/2-20	M10x1	20	27	14	14
5410-12-04	6	1/4"	7/16-20	M12x1,5	21	29	14	17
5410-12-05	8	5/16"	1/2-20	M12x1,5	21	29	14	19
5410-14-06	10	3/8"	9/16-18	M14x1,5	21	29	14	17
5410-16-06	10	3/8"	9/16-18	M16x1,5	22	33	19	22
5410-16-08	12	1/2"	3/4-16	M16x1,5	25	33	19	22
5410-18-08	12	1/2"	3/4-16	M18x1,5	25	33	19	24
5410-18-10	14-16	5/8"	7/8-14	M18x1,5	28	35	22	24
5410-22-10	14-16	5/8"	7/8-14	M22x1,5	28	38	22	27
5410-22-12	18-20	3/4"	1.1/16-12	M22x1,5	33	41	27	27
5410-27-12	18-20	3/4"	1.1/16-12	M27x2	33	44	27	36
5410-27-16	25	1"	1.5/16-12	M27x2	37	46	33	36
5410-33-16	25	1"	1.5/16-12	M33x2	37	47	33	41
5410-42-20	30	1.1/4"	1.5/8-12	M42x2	41	49	41	50
5410-48-24	38	1.1/2"	1.7/8-12	M48x2	45	53	48	60

## 5420 Регулируемый тройник метрика DIN 3852-1/JIC

Adjustable Run Tee Metric DIN 3852-1/JIC

**Резьба / Thread:**  
Metric Parallel

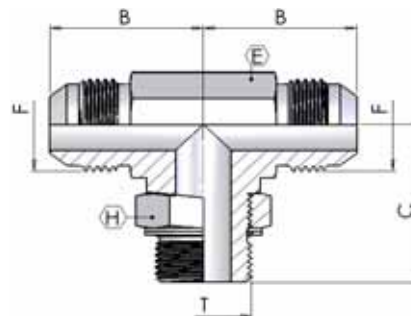


part number	Ø tube		Dimensions					
	mm	inch	F	T	B	C	H	E
5420-10-04	6	1/4"	7/16-20	M10x1	23	27	12	14
5420-10-05	8	5/16"	1/2-20	M10x1	24	27	14	14
5420-12-04	6	1/4"	7/16-20	M12x1,5	27	32	14	17
5420-12-05	8	5/16"	1/2-20	M12x1,5	27	32	14	19
5420-14-06	10	3/8"	9/16-18	M14x1,5	27	32	14	17
5420-16-06	10	3/8"	9/16-18	M16x1,5	29	38	19	22
5420-16-08	12	1/2"	3/4-16	M16x1,5	32	38	19	22
5420-18-08	12	1/2"	3/4-16	M18x1,5	32	40	19	24
5420-18-10	14-16	5/8"	7/8-14	M18x1,5	37	41	22	24
5420-22-10	14-16	5/8"	7/8-14	M22x1,5	37	43	22	27
5420-22-12	18-20	3/4"	1.1/16-12	M22x1,5	42	45	27	27
5420-27-12	18-20	3/4"	1.1/16-12	M27x2	42	52	27	36
5420-27-16	25	1"	1.5/16-12	M27x2	46	52	33	36
5420-33-16	25	1"	1.5/16-12	M33x2	46	53	33	41
5420-42-20	30	1.1/4"	1.5/8-12	M42x2	52	58	41	50
5420-48-24	38	1.1/2"	1.7/8-12	M48x2	59	67	48	60

## 5425 Регулируемый тройник метрика DIN 3852-1/JIC

Adjustable Branch Tee Metric DIN 3852-1/JIC

**Резьба / Thread:**  
Metric Parallel

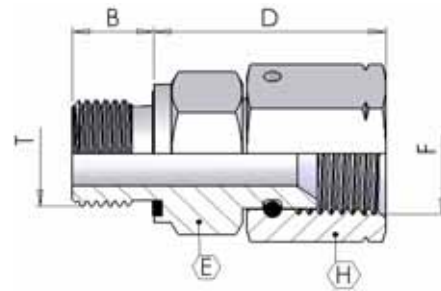


part number	Ø tube		Dimensions					
	mm	inch	F	T	B	C	H	E
5425-10-04	6	1/4"	7/16-20	M10x1	23	27	12	14
5425-10-05	8	5/16"	1/2-20	M10x1	24	27	14	14
5425-12-04	6	1/4"	7/16-20	M12x1,5	27	32	14	17
5425-12-05	8	5/16"	1/2-20	M12x1,5	27	32	14	19
5425-14-06	10	3/8"	9/16-18	M14x1,5	27	32	14	17
5425-16-06	10	3/8"	9/16-18	M16x1,5	29	38	19	22
5425-16-08	12	1/2"	3/4-16	M16x1,5	32	38	19	22
5425-18-08	12	1/2"	3/4-16	M18x1,5	32	40	19	24
5425-18-10	14-16	5/8"	7/8-14	M18x1,5	37	41	22	24
5425-22-10	14-16	5/8"	7/8-14	M22x1,5	37	43	22	27
5425-22-12	18-20	3/4"	1.1/16-12	M22x1,5	42	45	27	27
5425-27-12	18-20	3/4"	1.1/16-12	M27x2	42	52	27	36
5425-27-16	25	1"	1.5/16-12	M27x2	46	52	33	36
5425-33-16	25	1"	1.5/16-12	M33x2	46	53	33	41
5425-42-20	30	1.1/4"	1.5/8-12	M42x2	52	58	41	50
5425-48-24	38	1.1/2"	1.7/8-12	M48x2	59	67	48	60

## 5037 **Адаптер JIC/метрика уплотнение ED**

Connector swivel JIC female X Metric male with "ED" seal

**Резьба / Thread:**  
BSPP (Form E DIN 3852)

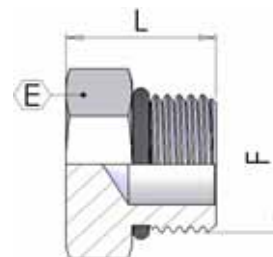


part number	Ø tube		Dimensions					
	mm	inch	F	T	B	D	H	E
5037-10-04	6	1/4"	7/16"-20	M10x1	8	24,5	14	14
5037-10-05	8	5/16"	1/2"-20	M10x1	8	26,0	17	14
5037-12-04	6	1/4"	7/16"-20	M12x1,5	8	24,5	14	17
5037-12-05	8	5/16"	1/2"-20	M12x1,5	8	26,0	17	17
5037-14-05	8	5/16"	1/2"-20	M14x1,5	12	26,0	17	19
5037-14-06	10	3/8"	9/16"-18	M14x1,5	12	26,8	19	19
5037-16-06	10	3/8"	9/16"-18	M16x1,5	12	27,3	19	22
5037-16-08	12	1/2"	3/4"-16	M16x1,5	12	29,6	22	22
5037-18-08	12	1/2"	3/4"-16	M18x1,5	12	30,6	22	24
5037-18-10	16	5/8"	7/8"-14	M18x1,5	12	34,6	27	24
5037-20-10	16	5/8"	7/8"-14	M20x1,5	14	35,6	27	27
5037-22-10	16	5/8"	7/8"-14	M22x1,5	14	36,1	27	29
5037-22-12	20	3/4"	1.1/16"-12	M22x1,5	14	36,2	32	27
5037-27-12	20	3/4"	1.1/16"-12	M27x2	16	36,7	32	32
5037-27-16	25	1"	1.5/16"-12	M27x2	16	40,4	41	32
5037-33-16	25	1"	1.5/16"-12	M33x2	18	41,4	41	41
5037-42-20	32	1.1/4"	1.5/8"-12	M42x2	20	43,8	50	50
5037-48-24	38	1.1/2"	1.7/8"-12	M48x2	22	51,3	60	55

## 5040 **Заглушка штуцер UNF**

UNF male plug

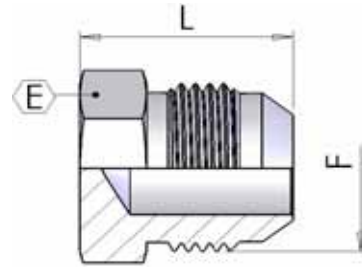
**Резьба / Thread:**  
UNF/UN (ISO 11926-1)



part number	Ø tube		Dimensions		
	mm	inch	F	L	E
5040-04			7/16" - 20	17	14
5040-05			1/2" - 20	17	14
5040-06			9/16" - 18	19	17
5040-08			3/4" - 16	21	22
5040-10			7/8" - 14	24	27
5040-12			1.1/16" - 12	27	32
5040-16			1.5/16" - 12	28	38

## J605 Заглушка штуцер

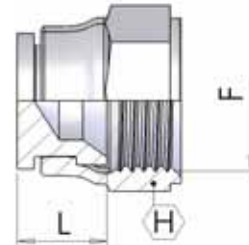
Male plug



part number	Ø tube		Dimensions		
	mm	inch	F	L	E
J605-04			7/16" - 20	22	12
J605-05			1/2" - 20	20	14
J605-06			9/16" - 18	22	15
J605-08			3/4" - 16	25	19
J605-10			7/8" - 14	27	24
J605-12			1.1/16" - 12	32	27
J605-14			1.3/16" - 12	33	32
J605-16			1.5/16" - 12	33	34
J605-20			1.5/8" - 12	36	46
J605-24			1.7/8" - 12	43	50

## J608 Заглушка гайка

Female Plug Swivel



part number	Ø tube		Dimensions		
	mm	inch	F	L	H
J608-04			7/16" - 20	10	14
J608-05			1/2" - 20	10	17
J608-06			9/16" - 18	12	19
* SAE 45° J608-07			5/8" - 18	12	22
J608-08			3/4" - 16	13	24
J608-10			7/8" - 14	14	27
J608-12			1.1/16" - 12	16	32
J608-14			1.3/16" - 12	15	36
J608-16			1.5/16" - 12	17	41
J608-20			1.5/8" - 12	20	50
J608-24			1.7/8" - 12	23	55