



IMM.M.M.

A close-up photograph of a hydraulic system. In the upper left, a pressure gauge with a white face and black markings is visible, showing a needle pointing to approximately 250 bar. The gauge has 'bar' written on it and numbers 2000, 3500, and 250. A blue hydraulic hose is connected to the gauge. The background is a blurred, colorful hydraulic hose.

Адаптеры DIN 2353 французская серия

E



E

A close-up photograph of a hydraulic hose and adapter. The hose is black and has a silver metal adapter attached to it. The adapter has a hexagonal nut and a threaded end. The background is a blurred, colorful hydraulic hose.

IMM Hy press  
IMM Group



● ● ● ● ● ● Французская серия DIN 2353

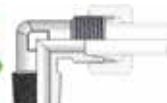
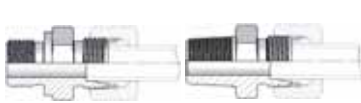
Страница / Page 2 2



**7400**  
Гайка

**7410**  
Кольцо врезное

Страница / Page 3 4 5

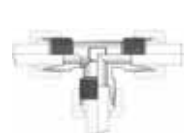


**7430**  
Коннектор, наружные резьбы

**7450**  
Коннектор, наружные резьбы

**7460**  
Коннектор вкручиваемый 90°

Страница / Page 6 6 7 7 8



**7500**  
Коннектор прямой

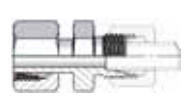
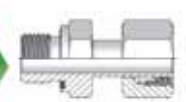
**7510**  
Коннектор редуцирующий

**7520**  
Коннектор 90°

**7000**  
Тройник

**7010**  
Коннектор Х-образный

Страница / Page 9 9 10 10 11



**7020**  
Прямой переборочный коннектор

**7130**  
Переборочный адаптер 90°

**7170**  
Вкручиваемый трубный адаптер

**7175**  
Вкручиваемый трубный адаптер

**7210**  
Редуцирующий трубный адаптер

Страница / Page 11 12



**7140**  
Коннектор 90° с гайкой

**7250**  
Трубный коннектор

Страница / Page 13 13



**7290**  
Заглушка трубная уплотнительное кольцо

**7280**  
Приварной трубный ниппель с

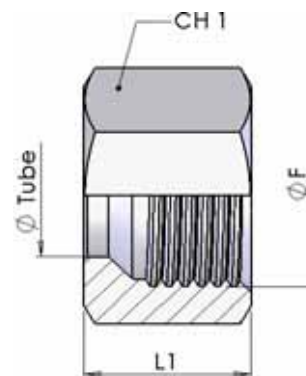
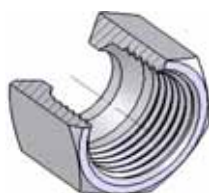
Dimensions and general characteristics may be changed at any time without prior notice.

Data contained herein are for information purpose only, and it does not enlarge, amend or imply any warranty other than provided by us with the product

Any use of the product not in conformance with our instructions may be dangerous.

## 7400 Гайка

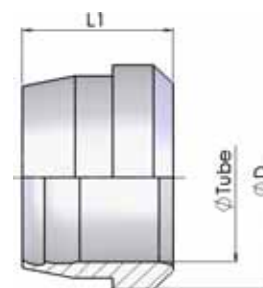
Nuts



PN	part number	Ø tube		Thread	Dimensions	
		mm	inch		CH1	L1
bar				F		
640	7400-13G	13,25	1/4"	20x1,5	24	18
400	7400-17G	16,75	3/8"	24x1,5	30	18
400	7400-21G	21,25	1/2"	30x1,5	36	20,5
320	7400-27G	26,75	3/4"	36x1,5	42	21,5
250	7400-34G	33,50	1"	45x1,5	55	23,5
160	7400-42G	42,25	1.1/4"	52x1,5	65	24,5

## 7410 Кольцо врезное

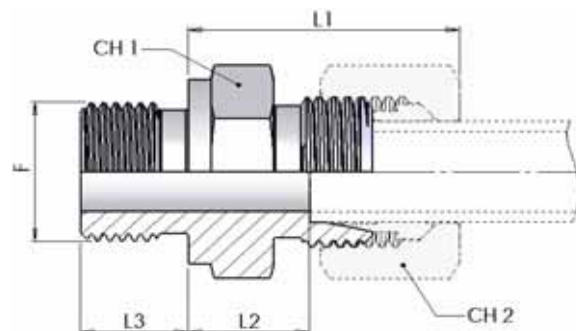
Cutting Rings



PN	part number	Ø tube		Dimensions
		mm	inch	
bar				L1
640	7410-13G	13,25	1/4"	10
400	7410-17G	16,75	3/8"	10
400	7410-21G	21,25	1/2"	10
320	7410-27G	26,75	3/4"	10,5
250	7410-34G	33,50	1"	10,5
160	7410-42G	42,25	1.1/4"	11,5

## 7430 Коннектор, наружные резьбы

Male Stud Couplings



**Резьба / Thread:**  
BSPP (UNI ISO 228)

PN	part number (body only)	Ø tube		Thread	Dimensions						
		mm	inch		F	CH1	CH2	L1	L2	L3	
640	7430-13GR-1	13,25	1/4"	1/4"	22	24	33	10,5	10		
	7430-13GR06-1			3/8"	22	24	34	12	10		
	7430-13GR08-1			1/2"	27	24	35	13	12		
400	7430-17GR-1	16,75	3/8"	3/8"	27	30	35	12	10		
	7430-17GR08-1			1/2"	27	30	36	13	12		
400	7430-21GR-1	21,25	1/2"	1/2"	32	36	39	15	12		
	7430-21GR12-1			3/4"	32	36	40	16,5	16		
320	7430-27GR-1	26,75	3/4"	3/4"	41	42	41	16,5	16		
	7430-27GR16-1			1"	46	42	43	18,5	16		
250	7430-34GR-1	33,50	1"	1"	46	55	45	20,5	16		
	7430-34GR20-1			1 1/4"	50	55	48	23	18		
160	7430-42GR-1	42,25	1.1/4"	1 1/4"	55	65	49	23	18		
	7430-42GR24-1			1 1/2"	60	65	49	23	18		

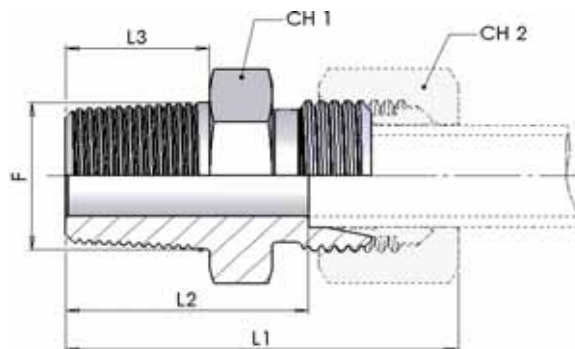
**Резьба / Thread:**

Metrica Cilindrica / Metric Parallel (UNI 4535-64)

PN	part number (body only)	Ø tube		Thread	Dimensions						
		mm	inch		F	CH1	CH2	L1	L2	L3	
640	7430-13GM16-1	13,25	1/4"	16x1,5	22	24	34	12	10		
	7430-13GM18-1			18x1,5	24	24	35	12,5	12		
400	7430-17GM18-1	16,75	3/8"	18x1,5	27	30	35	12,5	12		
	7430-17GM20-1			20x1,5	27	30	36	12,5	12		
	7430-17GM22-1			22x1,5	32	30	36	13	14		

## 7450 Коннектор, наружные резьбы

Male Stud Couplings

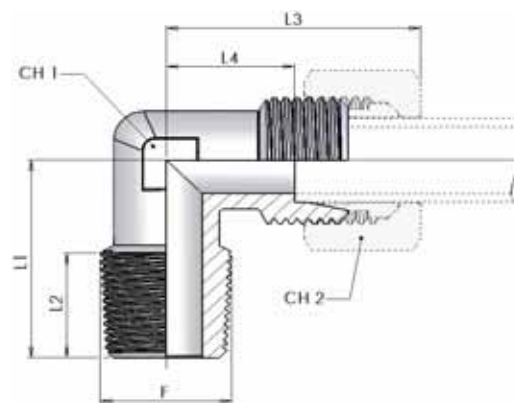


**Резьба / Thread:**

BSPT (UNI ISO 7/1)

PN	part number (body only)	Ø tube		Thread	Dimensions					
		mm	inch		F	CH1	CH2	L1	L2	L3
640	7450-13GK-1	13,25	1/4"	1/4"	22	24	34,5	22,5	12,5	
	7450-13GK06-1			3/8"	22	24	35	22,5	13	
	7450-13GK08-1			1/2"	22	24	39	27,5	17	
400	7450-17GK04-1	16,75	3/8"	1/4"	27	30	35,5	23,5	12,5	
	7450-17GK-1			3/8"	27	30	36	23,5	13	
	7450-17GK08-1			1/2"	27	30	40	28	17	
400	7450-21GK-1	21,25	1/2"	1/2"	32	36	41	31	17	
	7450-21GK12-1			3/4"	32	36	42	32	18	
320	7450-27GK08-1	26,75	3/4"	1/2"	41	42	42	32	17	
	7450-27GK-1			3/4"	41	42	43	33	18	
	7450-27GK16-1			1"	41	42	46,5	36	21,5	
250	7450-34GK-1	33,50	1"	1"	46	55	46,5	40	21,5	
	7450-34GK20-1			1 1/4"	46	55	49	42,5	24	
160	7450-42GK-1	42,25	1.1/4"	1 1/4"	55	65	50	44,5	24	
	7450-42GK24-1			1 1/2"	55	65	50	44,5	24	

**7460** Коннектор вкручиваемый 90°,

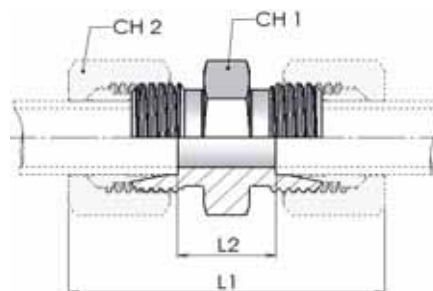
*Stud Elbows*

**Резьба / Thread:**

BSPT (UNI ISO 7/1)

PN	part number (body only)	Ø tube		Thread	Dimensions						
		mm	inch		F	CH1	CH2	L1	L2	L3	L4
640	7460-13GK-1	13,25	1/4"	1/4"	19	24	30	12,5	41	18,5	
	7460-13GK06-1			3/8"	19	24	30	13	41	18,5	
	7460-13GK08-1			1/2"	24	24	34	17	40	18	
400	7460-17GK04-1	16,75	3/8"	1/4"	24	30	31	12,5	45	21,5	
	7460-17GK-1			3/8"	24	30	31	13	45	21,5	
	7460-17GK08-1			1/2"	24	30	34	17	45	21,5	
400	7460-21GK-1	21,25	1/2"	1/2"	27	36	38	17	50	26,5	
	7460-21GK12-1			3/4"	27	36	42	18	50	26,5	
320	7460-27GK-1	26,75	3/4"	3/4"	36	42	46	18	54	29,5	
	7460-27GK16-1			1"	36	42	48	19,5	54	29,5	
250	7460-34GK-1	33,50	1"	1"	41	55	54	21	62	37	
	7460-34GK20-1			1 1/4"	41	55	54	22	62	37	
160	7460-42GK-1	42,25	1.1/4"	1 1/4"	50	65	61	23,5	69	43	

## 7500 Коннектор прямой

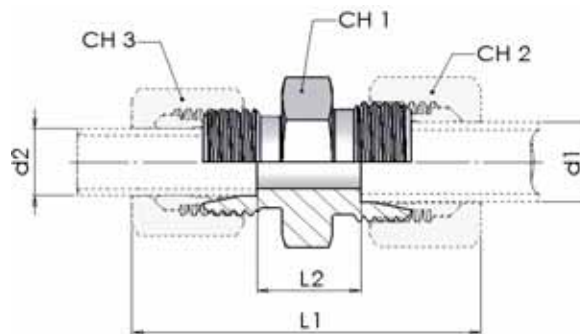
Straight couplings



PN	part number (body only)	Ø tube		Dimensions									
		mm	inch	CH1	CH2	L1	L2						
640	<b>7500-13G-1</b>	13,25	1/4"	22	24	58	13						
400	<b>7500-17G-1</b>	16,75	3/8"	27	30	61	14						
400	<b>7500-21G-1</b>	21,25	1/2"	32	36	67	19						
320	<b>7500-27G-1</b>	26,75	3/4"	41	42	70	20						
250	<b>7500-34G-1</b>	33,50	1"	46	55	76	26						
160	<b>7500-42G-1</b>	42,25	1.1/4"	55	65	79	28						

## 7510 Коннектор редукционный

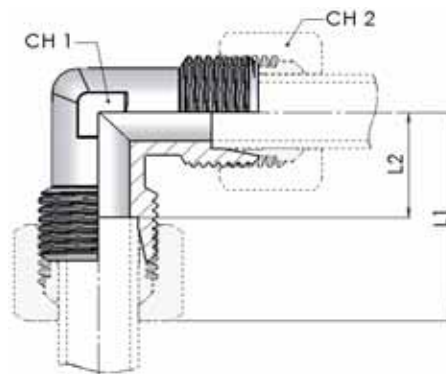
Reduced Straight couplings



PN	part number (body only)	Ø tube d1		Ø tube d2		Dimensions							
		mm	inch	mm	inch	CH1	CH2	CH3	L1	L2			
400	<b>7510-17/13G-1</b>	16,75	3/8"	13,25	1/4"	27	30	24	60	14			
400	<b>7510-21/13G-1</b>	21,25	1/2"	13,25	1/4"	32	36	24	63	17			
	<b>7510-21/17G-1</b>			16,75	3/8"	32	36	30	64	17			

## 7520 Коннектор 90°

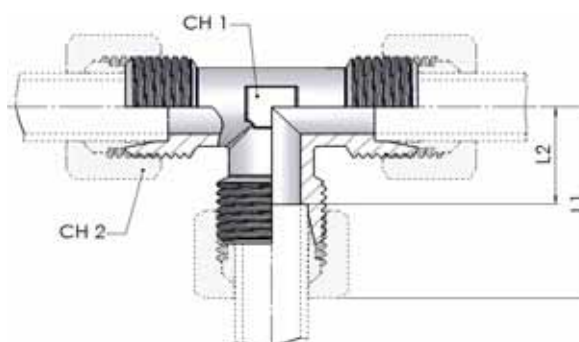
Equal Elbows



PN	part number (body only)	Ø tube		Dimensions									
		mm	inch	CH1	CH2	L1	L2						
640	7520-13G-1	13,25	1/4"	19	24	41	18,5						
400	7520-17G-1	16,75	3/8"	24	30	45	21,5						
400	7520-21G-1	21,25	1/2"	27	36	50	26,5						
320	7520-27G-1	26,75	3/4"	36	42	54	29,5						
250	7520-34G-1	33,50	1"	41	55	62	37						
160	7520-42G-1	42,25	1.1/4"	50	65	69	43						

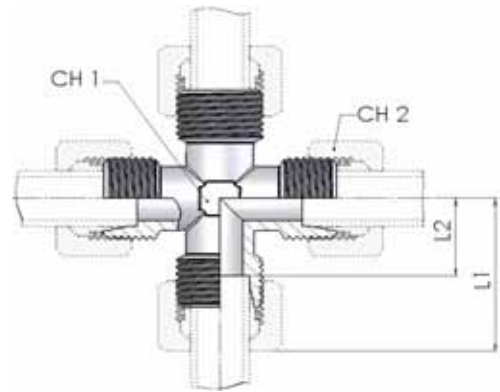
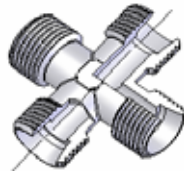
## 7000 Тройник

Equal Tees



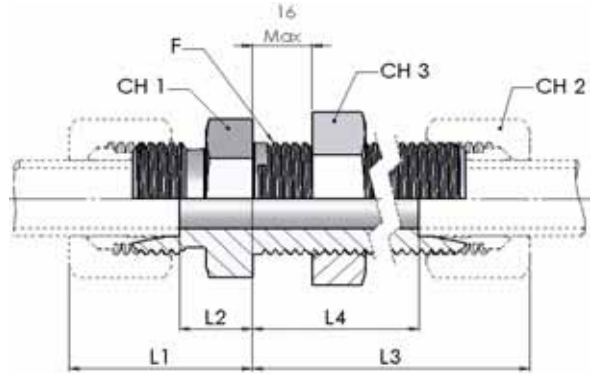
PN	part number (body only)	Ø tube		Dimensions									
		mm	inch	CH1	CH2	L1	L2						
640	7000-13G-1	13,25	1/4"	19	24	41	18,5						
400	7000-17G-1	16,75	3/8"	24	30	45	21,5						
400	7000-21G-1	21,25	1/2"	27	36	50	26,5						
320	7000-27G-1	26,75	3/4"	36	42	54	29,5						
250	7000-34G-1	33,50	1"	41	55	62	37						
160	7000-42G-1	42,25	1.1/4"	50	65	69	43						

**7010** Коннектор Х-образный  
Equal Crosses



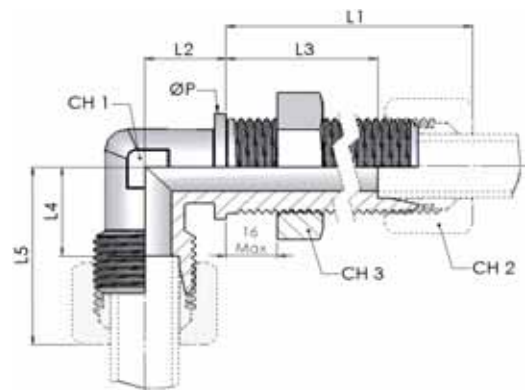
PN	part number (body only)	Ø tube		Dimensions							
		mm	inch	CH1	CH2	L1	L2				
640	7010-13G-1	13,25	1/4"	19	24	41	18,5				
400	7010-17G-1	16,75	3/8"	24	30	45	21,5				
400	7010-21G-1	21,25	1/2"	27	36	50	26,5				
320	7010-27G-1	26,75	3/4"	36	42	54	29,5				
250	7010-34G-1	33,50	1"	41	55	62	37				
160	7010-42G-1	42,25	1.1/4"	50	65	69	43				

**7020** Прямой переборочный коннектор  
Straight Bulkhead Union.



PN	part number (body only)	Ø tube		Thread	Dimensions						
		mm	inch		F	CH1	CH2	CH3	L1	L2	L3
640	7020-13G-1	13,25	1/4"	20x1,5	27	24	27	32	10	47	25
400	7020-17G-1	16,75	3/8"	24x1,5	32	30	32	34	11	49	26
400	7020-21G-1	21,25	1/2"	30x1,5	36	36	41	37	13	52	28
320	7020-27G-1	26,75	3/4"	36x1,5	46	42	46	40	15	54	29
250	7020-34G-1	33,50	1"	45x1,5	55	55	55	44	19	58	33
160	7020-42G-1	42,25	1.1/4"	52x1,5	65	65	65	46	20	60	34

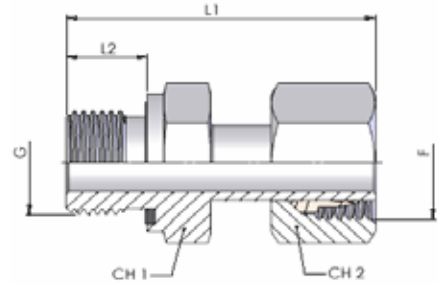
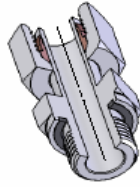
**7130** Переборочный адаптер 90°  
Bulkhead 90° Elbow Union



PN	part number (body only)	Ø tube		Dimensions								
		mm	inch	CH1	CH2	CH3	L1	L2	L3	L4	L5	ØP
640	7130-13G-1	13,25	1/4"	19	24	27	51	23	29	20	42	27
400	7130-17G-1	16,75	3/8"	24	30	32	54	24	31	23	46	30
400	7130-21G-1	21,25	1/2"	27	36	41	59	30	35	28	52	36
320	7130-27G-1	26,75	3/4"	36	42	46	63	34	38	31	56	42
250	7130-34G-1	33,50	1"	41	55	55	63	39	38	37	62	50

## 7170 Вкручиваемый трубный адаптер

Stud /Standpipe Adaptors

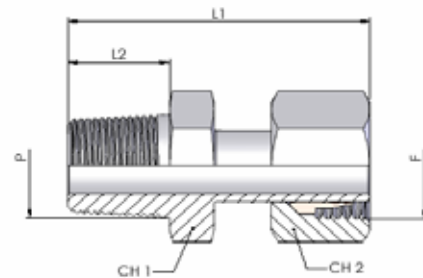


**Резьба / Thread:**  
BSPP (Form E DIN 3852)

PN	part number	Ø tube		Thread		Dimensions				
		mm	inch	G	F	CH1	CH2	L1	L2	
640	7170-13GR	13,25	1/4"	1/4"	20 x 1,5	17	24	39,5	10	
	7170-13GR06			3/8"	20 x 1,5	22	24	41	10	
	7170-13GR08			1/2"	20 x 1,5	27	24	44	12	
400	7170-17GR	16,75	3/8"	3/8"	24 x 1,5	22	30	43	10	
	7170-17GR08			1/2"	24 x 1,5	27	30	46	12	
400	7170-21GR	21,25	1/2"	1/2"	30 x 1,5	27	36	48	12	
	7170-21GR12			3/4"	30 x 1,5	32	36	53,5	16	
320	7170-27GR	26,75	3/4"	3/4"	36 x 1,5	32	42	53,5	16	
	7170-27GR16			1"	36 x 1,5	46	42	55,5	16	
250	7170-34GR	33,50	1"	1"	45 x 1,5	46	55	56,5	16	
	7170-34GR20			1 1/4"	45 x 1,5	50	55	61	18	
160	7170-42GR	42,25	1.1/4"	1 1/4"	52 x 1,5	50	65	62	18	
	7170-42GR24			1 1/2"	52 x 1,5	60	65	62	18	

## 7175 Вкручиваемый трубный адаптер

Stud /Standpipe Adaptors

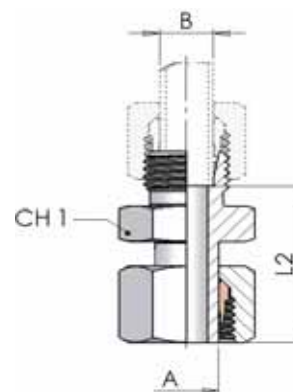


**Резьба / Thread:**  
BSPT (UNI ISO 7/1)

PN	part number	Ø tube		Thread		Dimensions				
		mm	inch	P	F	CH1	CH2	L1	L2	
640	7175-13GK	13,25	1/4"	1/4"	20 x 1,5	14	24	40	12,5	
	7175-13GK06			3/8"	20 x 1,5	19	24	41	13	
	7175-13GK08			1/2"	20 x 1,5	22	24	46	17	
400	7175-17GK	16,75	3/8"	3/8"	24 x 1,5	19	30	43	13	
	7175-17GK08			1/2"	24 x 1,5	22	30	48	17	
400	7175-21GK	21,25	1/2"	1/2"	30 x 1,5	24	36	50	17	
	7175-21GK12			3/4"	30 x 1,5	27	36	52	18	
320	7175-27GK	26,75	3/4"	3/4"	36 x 1,5	30	42	52	18	
	7175-27GK16			1"	36 x 1,5	36	42	57,5	21,5	

## 7210 Редукционный трубный адаптер

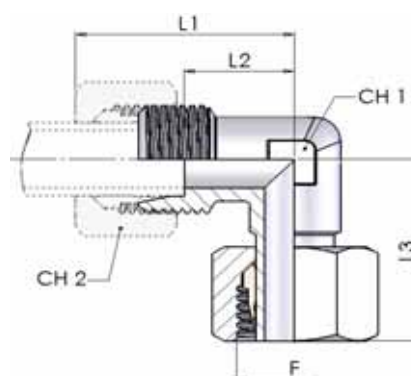
Standpipe/Tube Reducers



PN	part number (body only)	Ø tube A		Ø tube B		Dimensions								
		mm	inch	mm	inch	CH1	L2							
bar														
400	7210-17/13G-1	16,75	3/8"	13,25	1/4"	22	34							
400	7210-21/13G-1	21,25	1/2"	13,25	1/4"	22	36							
	7210-21/17G-1			16,75	3/8"	27	37							
320	7210-27/13G-1	26,75	3/4"	13,25	1/4"	30	36							
	7210-27/17G-1			16,75	3/8"	30	37							
	7210-27/21G-1			21,25	1/2"	32	40							
250	7210-34/17G-1	33,50	1"	16,75	3/8"	36	38							
	7210-34/21G-1			21,25	1/2"	36	41							
	7210-34/27G-1			26,75	3/4"	41	42							
160	7210-42/21G-1	42,25	1.1/4"	21,25	1/2"	46	42							
	7210-42/27G-1			26,75	3/4"	46	43							
	7210-42/34G-1			33,50	1"	46	47							

## 7140 Коннектор 90° с гайкой

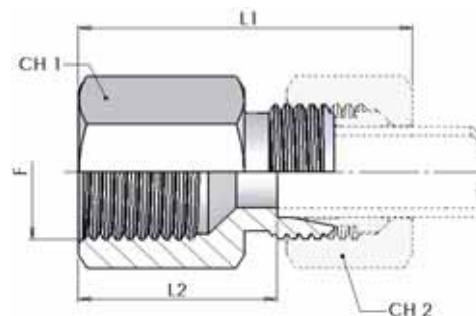
Angular rotary fitting



PN	part number (body only)	Ø tube		Thread	Dimensions								
		mm	inch	F	CH1	CH2	L1	L2	L3				
640	7140-13G-1	13,25	1/4"	20x1,5	19	24	41	18,5	35,5				
400	7140-17G-1	16,75	3/8"	24x1,5	24	30	45	21,5	37,5				
400	7140-21G-1	21,25	1/2"	30x1,5	27	36	50	26,5	45				
320	7140-27G-1	26,75	3/4"	36x1,5	36	42	54	29,5	49				
250	7140-34G-1	33,50	1"	45x1,5	41	55	62	37	54				

## 7250 Трубный коннектор

Female Stud Couplings



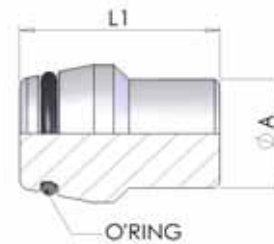
### Резьба / Thread:

BSPT (UNI ISO 228)

PN	part number (body only)	Ø tube		Thread	Dimensions						
		mm	inch		F	CH1	CH2	L1	L2		
640	7250-13GR-1	13,25	1/4"	1/4"	22	24	41	19			
	7250-13GR06-1			3/8"	22	24	41	19			
	7250-13GR08-1			1/2"	27	24	43	21			
400	7250-17GR-1	16,75	3/8"	3/8"	27	30	42	19			
	7250-17GR08-1			1/2"	27	30	44	21			
400	7250-21GR-1	21,25	1/2"	1/2"	32	36	47	23			

## 7290 Заглушка трубная уплотнительное кольцо

Pipe plug with O-Ring seal



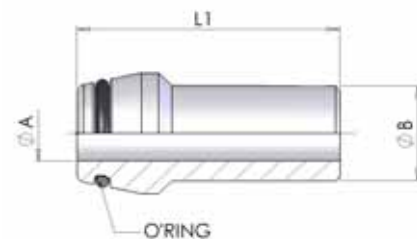
PN	part number	Ø tube (ØA)		Dimensions		
		mm	inch	* O'Ring	L1	
640	<b>7290-13G</b>	13,25	1/4"	11 x 2	21	
400	<b>7290-17G</b>	16,75	3/8"	14 x 2	23	
400	<b>7290-21G</b>	21,25	1/2"	18 x 2,5	28	
320	<b>7290-27G</b>	26,75	3/4"	24 x 2,5	28	
250	<b>7290-34G</b>	33,50	1"	30 x 2,5	29	
160	<b>7290-42G</b>	42,25	1.1/4"	38 x 2,5	30	

\* - Диапазон температуры без потери давления, при коннекторах с уплотнительным кольцом из NBR (стандартно) и FPM (под заказ): NBR(Perbunan): от -35° до +100°C - FPM (Viton): от -25° до +120°C

\* - Temperature range without pressure reductions with connections fitted with O.Ring in NBR (standard) and FPM (to order): NBR(Perbunan): from -35° to +100°C - FPM (Viton): from -25° to +120°C

## 7280 Приварной трубный ниппель с уплотнительным кольцом

Welding Nipples with O-Ring Seal



PN	part number	Ø tube (ØB)		Dimensions		
		mm	inch	* O'Ring	L1	A
640	<b>7280-13G</b>	13,25	1/4"	11 x 2	40	7
400	<b>7280-17G</b>	16,75	3/8"	14 x 2	42	10,5
400	<b>7280-21G</b>	21,25	1/2"	18 x 2,5	48	13,5
320	<b>7280-27G</b>	26,75	3/4"	24 x 2,5	51	18,5
250	<b>7280-34G</b>	33,50	1"	30 x 2,5	59	24
160	<b>7280-42G</b>	42,25	1.1/4"	38 x 2,5	66	32,5

\* - Диапазон температуры без потери давления, при коннекторах с уплотнительным кольцом из NBR (стандартно) и FPM (под заказ): NBR(Perbunan): от -35° до +100°C - FPM (Viton): от -25° до +120°C

\* - Temperature range without pressure reductions with connections fitted with O.Ring in NBR (standard) and FPM (to order): NBR(Perbunan): from -35° to +100°C - FPM (Viton): from -25° to +120°C

