



**ИИИ.М.М.**

**O**

Адаптеры и фитинг систем замера давления















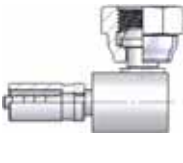









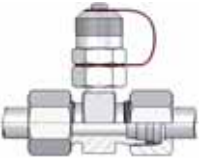



**N  
O**

**ИИИHypress**  
IMM Group



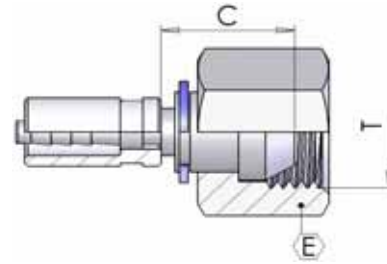


## ФИТТИНГ ДЛЯ РУКАВОВ СИСТЕМ ЗАМЕРА ДАВЛЕНИЯ.

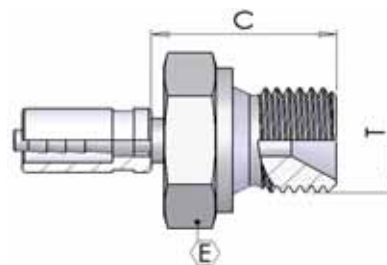
Страница / Page	2	2	3	3		
<b>Gas BSP</b>	 <b>M051</b> Femm. Cono 60° Swivel Fem. 60° Cone	 <b>M350</b> Maschio BSPP 60° BSPP Male 60° Cone	 <b>M360</b> Maschio BSPT 60° BSPT Male 60° Cone	 <b>MP51</b> Fem. Gir. Portaman. Pressure gauge connect.		
Страница / Page	3		4	4		
<b>60° Metric</b>	 <b>M100</b> Femm. Metr. Cono 60° Swivel Female 60° Cone	<b>Metric 24°</b>	 <b>M084</b> DKOS	 <b>M085</b> DKOL		
Страница / Page	4	5	5	5		
<b>JIC 74°</b>	 <b>M901</b> Femmina Girevole JIC Jic swivel female	<b>Metric Stanpipe</b>	 <b>M550</b> Perno Liscio Standpipe	 <b>M650</b> Perno Liscio 90° 90° Standpipe		
			<b>Banjo</b>	 <b>M1350</b> Occhio Metrico Metric Banjo		
Страница / Page	6	6	7	7		
<b>Расс. а Spina</b>	 <b>M0FS</b> Femmina а Spina Swivel female test fitting	 <b>M0PS</b> Perno а Spina Plug-in connection	 <b>MPAR</b> Parapolvere Dust protection cap	<b>Compact</b>		
			 <b>M2300</b> BSP 90° compact elbow 60° cone	 <b>MC650</b> 90° compact standpipe		
Страница / Page	9	9	10	10	11	11
<b>Check coupling</b>	 <b>RDCB</b> BSP - Metric Form B	 <b>RDCC</b> BSP - Metric with elastomeric sealing	 <b>RDCA - RDCE</b> UNF - Metric	 <b>RDCD</b> BSPT - NPTF	 <b>RDC0</b> Perno Liscio Standpipe	 <b>RDCF</b> DKOL
Страница / Page	12	12	13	14	14	15
<b>Check coupling</b>	 <b>RDCF</b> JIC Female swivel	 <b>RDCF</b> ORFS Female swivel	 <b>RDCI</b> for metal pipe fitting DIN 2353	 <b>PGA0</b> Connessione diretta Direct connection	 <b>PGAP</b> Conness. Passaparete Bulkhead connection	 <b>PGA9</b> Conness. Orientabile 90° 90° Swivel connection

Dimensions and general characteristics may be changed at any time without prior notice.

Data contained herein are for information purpose only, and it does not enlarge, amend or imply any warranty other than provided by us with the product  
Any use of the product not in conformance with our instructions may be dangerous.

**M051 BSP 60° накидная гайка**
*BSP Swivel Female 60° Cone*


part number	hose I.D.			Dimension		
	in	mm	DN	T	C	E
<b>M051-012-02</b>	5/64"	2,0	DN 2	1/8"	10	14
<b>M051-012-04</b>	5/64"	2,0	DN 2	1/4"	13	17
<b>M051-012-06</b>	5/64"	2,0	DN 2	3/8"	15	22
<b>M051-020-02</b>	1/8"	3,0	DN 3	1/8"	10	14
<b>M051-020-04</b>	1/8"	3,0	DN 3	1/4"	13	17
<b>M051-020-06</b>	1/8"	3,0	DN 3	3/8"	15	22
<b>M051-025-02</b>	5/32"	4,0	DN 4	1/8"	10	14
<b>M051-025-04</b>	5/32"	4,0	DN 4	1/4"	13	17
<b>M051-025-06</b>	5/32"	4,0	DN 4	3/8"	15	22

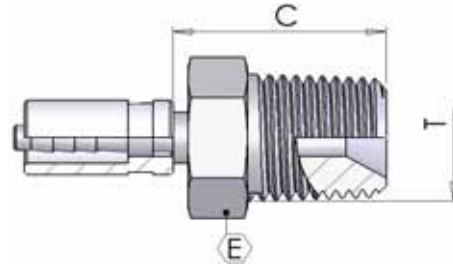
**M350 Штуцер BSP конус 60°**
*BSP Male Parallel 60° cone*


part number	hose I.D.			Dimension		
	in	mm	DN	T	C	E
<b>M350-012-02</b>	5/64"	2,0	DN 2	1/8"	15	12
<b>M350-012-04</b>	5/64"	2,0	DN 2	1/4"	20	17
<b>M350-020-02</b>	1/8"	3,0	DN 3	1/8"	15	12
<b>M350-020-04</b>	1/8"	3,0	DN 3	1/4"	20	17
<b>M350-025-02</b>	5/32"	4,0	DN 4	1/8"	15	12
<b>M350-025-04</b>	5/32"	4,0	DN 4	1/4"	20	17

Цена включает ниппель и обжимную муфту для рукава типа TFS00MP  
*In the price are including the insert and the swaged ferrule for micro hose Type TFS00MP*

## M360 Штуцер BSPT конус 60°

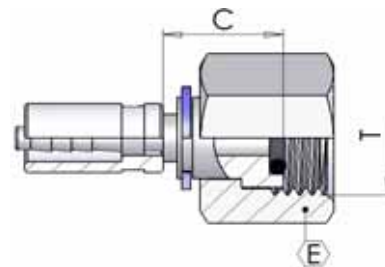
BSP Taper Male 60° cone



part number	hose I.D.			Dimension		
	in	mm	DN	T	C	E
M360-012-02	5/64"	2,0	DN 2	1/8"	15	12
M360-020-02	1/8"	3,0	DN 3	1/8"	15	12
M360-025-02	5/32"	4,0	DN 4	1/8"	15	12

## MP51 Адаптер под манометр, BSP внутренняя резьба

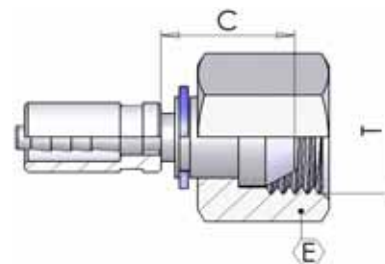
BSP Female pressure gauge connection



part number	hose I.D.			Dimension		
	in	mm	DN	T	C	E
MP51-012-04	5/64"	2,0	DN 2	1/4"	12	19
MP51-012-08	5/64"	2,0	DN 2	1/2"	20	27
MP51-020-04	1/8"	3,0	DN 3	1/4"	12	19
MP51-020-08	1/8"	3,0	DN 3	1/2"	20	27
MP51-025-04	5/32"	4,0	DN 4	1/4"	12	19
MP51-025-08	5/32"	4,0	DN 4	1/2"	20	27

## M100 Конус 60° метрическая накидная гайка

Metric Swivel Female 60° Cone



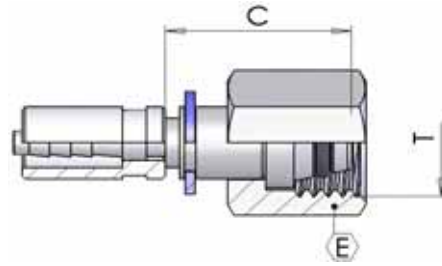
part number	hose I.D.			Dimension		
	in	mm	DN	T	C	E
M100-012-10	5/64"	2,0	DN 2	M10x1,0	10	14
M100-012-14	5/64"	2,0	DN 2	M14x1,5	13	17
M100-020-10	1/8"	3,0	DN 3	M10x1,0	10	14
M100-020-14	1/8"	3,0	DN 3	M14x1,5	13	17
M100-025-10	5/32"	4,0	DN 4	M10x1,0	10	14
M100-025-14	5/32"	4,0	DN 4	M14x1,5	13	17

Цена включает ниппель и обжимную муфту для рукава типа TFS00MP

In the price are including the insert and the swaged ferrule for micro hose Type TFS00MP

**M084 Метрическая накидная гайка 24°  
DKOL/DKOS**
**M085**

Metric Swivel Female 24° Cone/O'Ring - DKOL/DKOS

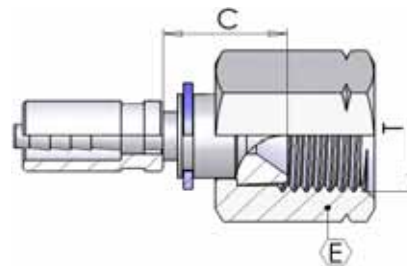


part number	hose I.D.			Dimension			
	in	mm	DN	T	Erm.	C	E
M084-012-14	5/64"	2,0	DN 2	M14x1,5	6S	18	19
M084-012-16	5/64"	2,0	DN 2	M16x1,5	8S	18	19
M084-012-18	5/64"	2,0	DN 2	M18x1,5	10S	18	19
M084-020-14	1/8"	3,0	DN 3	M14x1,5	6S	18	19
M084-020-16	1/8"	3,0	DN 3	M16x1,5	8S	18	19
M084-020-18	1/8"	3,0	DN 3	M18x1,5	10S	18	19
M084-025-14	5/32"	4,0	DN 4	M14x1,5	6S	18	19
M084-025-16	5/32"	4,0	DN 4	M16x1,5	8S	18	19
M084-025-18	5/32"	4,0	DN 4	M18x1,5	10S	18	19

M085-012-12	5/64"	2,0	DN 2	M12x1,5	6L	18	19
M085-012-14	5/64"	2,0	DN 2	M14x1,5	8L	18	19
M085-012-16	5/64"	2,0	DN 2	M16x1,5	10L	18	19
M085-020-12	1/8"	3,0	DN 3	M12x1,5	6L	18	19
M085-020-14	1/8"	3,0	DN 3	M14x1,5	8L	18	19
M085-020-16	1/8"	3,0	DN 3	M16x1,5	10L	18	19
M085-025-12	5/32"	4,0	DN 4	M12x1,5	6L	18	19
M085-025-14	5/32"	4,0	DN 4	M14x1,5	8L	18	19
M085-025-16	5/32"	4,0	DN 4	M16x1,5	10L	18	19

**M901 Накидная гайка Jic 74°**

Jic swivel female 74° seat



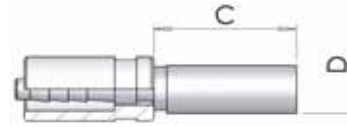
part number	hose I.D.			Dimension		
	in	mm	DN	T	C	E
M901-012-04	5/64"	2,0	DN 2	7/16"-20	11	14
M901-012-05	5/64"	2,0	DN 2	1/2"-20	21	17
M901-020-04	1/8"	3,0	DN 3	7/16"-20	11	14
M901-020-05	1/8"	3,0	DN 3	1/2"-20	21	17
M901-025-04	5/32"	4,0	DN 4	7/16"-20	11	14
M901-025-05	5/32"	4,0	DN 4	1/2"-20	21	17

Цена включает ниппель и обжимную муфту для рукава типа TFS00MP

In the price are including the insert and the swaged ferrule for micro hose Type TFS00MP

## M550 Трубка метрическая

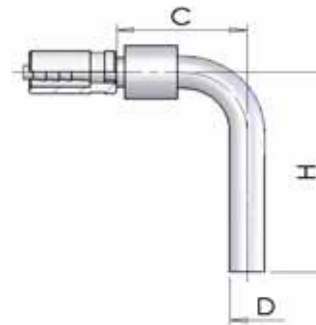
Standpipe



part number	hose I.D.			Dimension		
	in	mm	DN		D	C
M550-012-04	5/64"	2,0	DN 2		4	22
M550-012-06	5/64"	2,0	DN 2		6	22
M550-012-08	5/64"	2,0	DN 2		8	22
M550-020-04	1/8"	3,0	DN 3		4	22
M550-020-06	1/8"	3,0	DN 3		6	22
M550-020-08	1/8"	3,0	DN 3		8	22
M550-025-04	5/32"	4,0	DN 4		4	22
M550-025-06	5/32"	4,0	DN 4		6	22
M550-025-08	5/32"	4,0	DN 4		8	22

## M650 Трубка метрическая 90°

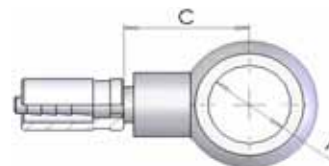
90° Standpipe



part number	hose I.D.			Dimension		
	in	mm	DN	D	C	H
M650-012-06	5/64"	2,0	DN 2	6	24	33
M650-020-06	1/8"	3,0	DN 3	6	24	33
M650-025-06	5/32"	4,0	DN 4	6	24	33

## M135 Банджо метрический

Metric Banjo



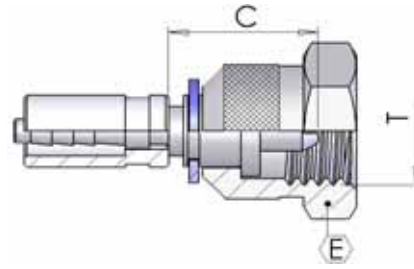
part number	hose I.D.			Dimension	
	in	mm	DN	F	L
M1350-012-10	5/64"	2,0	DN 2	10	21
M1350-020-10	1/8"	3,0	DN 3	10	21
M1350-025-10	5/32"	4,0	DN 4	10	21

Цена включает ниппель и обжимную муфту для рукава типа TFS00MP

In the price are including the insert and the swaged ferrule for micro hose Type TFS00MP

## M0FS Ниппель замера, накидная гайка

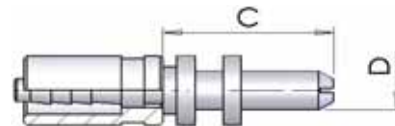
Swivel female test fitting



part number	hose I.D.			Dimension		
	in	mm	DN	T	C	E
M0FS-012-16	5/64"	2,0	DN 2	M16x2,0	18,5	19
M0FS-012-17	5/64"	2,0	DN 2	M16x1,5	18,5	19
M0FS-020-16	1/8"	3,0	DN 3	M16x2,0	18,5	19
M0FS-020-17	1/8"	3,0	DN 3	M16x1,5	18,5	19
M0FS-025-16	5/32"	4,0	DN 4	M16x2,0	18,5	19
M0FS-025-17	5/32"	4,0	DN 4	M16x1,5	18,5	19

## M0PS Штекерный ниппель

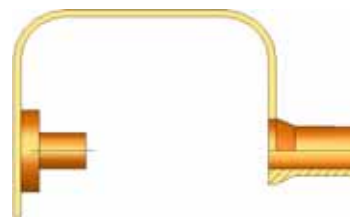
Plug-in connection



part number	hose I.D.			Dimension	
	in	mm	DN	D	C
M0PS-012-16	5/64"	2,0	DN 2	3,3	15
M0PS-020-16	1/8"	3,0	DN 3	3,3	15
M0PS-025-16	5/32"	4,0	DN 4	3,3	15

## MPAR Колпачек для штекерного ниппеля

Dust protection cap for Plug-in connection

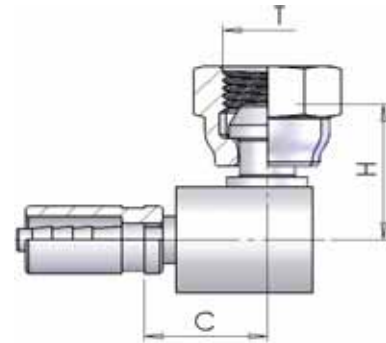


part number	Description
MPAR-16	Колпачек для штекерного ниппеля

Цена включает ниппель и обжимную муфту для рукава типа TFS00MP  
 In the price are including the insert and the swaged ferrule for micro hose Type TFS00MP

## M2300 **Компактный ниппель, накидная гайка**

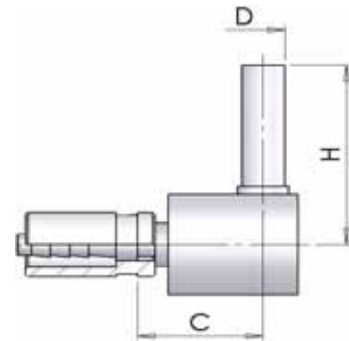
BSP 90° compact elbow 60° cone



part number	hose I.D.			Dimension			
	in	mm	DN	T	E	C	H
<b>M2300-012-02</b>	5/64"	2,0	DN 2	1/8"	13	15,5	16,5
<b>M2300-012-04</b>	5/64"	2,0	DN 2	1/4"	17	15,5	19

## MC650 **Компактный ниппель, трубка метрическая**

90° compact metric standpipe



part number	hose I.D.			Dimension		
	in	mm	DN	D	C	H
<b>MC650-012-06</b>	5/64"	2,0	DN 2	6	15,5	28
<b>MC650-012-08</b>	5/64"	2,0	DN 2	8	15,5	28

Цена включает ниппель и обжимную муфту для рукава типа TFS00MP

In the price are including the insert and the swaged ferrule for micro hose Type TFS00MP

## Соединения систем замера давления

### Check coupling

В стандартной версии все адаптера систем замера давления имеют металлический колпачек и пластиковый ремешок.

*All check couplings are supplied for standard version with metal plug and plastic lace.*



std version

По дополнительному заказу, адаптера замера давления могут иметь металлический колпачек и цепь, или они же из пластика.

*Check couplings, on request, are available with metal plug and lace or plastic plug and lace too.*



В случае заказа металлического колпачка и цепочки добавьте к стандартному коду "А". Пример кода: RDCB-10MA

*In case of order add "A" to standard code for check couplings with metal plug and lace.*

*Code example: RDCB-10MA*

В случае заказа пластикового колпачка и ремешка добавьте к стандартному коду "Р". Пример кода: RDCB-10MP

*In case of order add "P" to standard code for check couplings with plastic plug and lace.*

*Code example: RDCB-10MP*



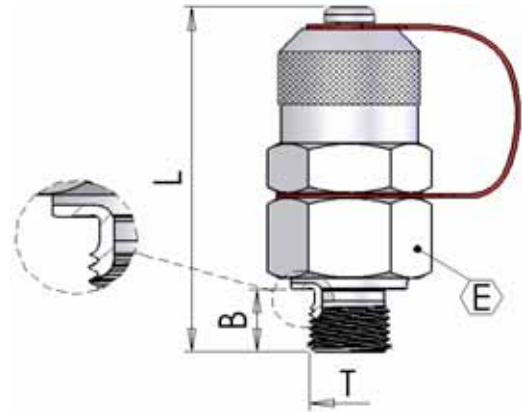
## RDCB **Адаптер BSPP (FormB) / Metric (Form B)**

Check coupling - Male BSPP (FormB) / Metric (Form B)

### Резьба / Thread:

Metric (Form B DIN 3852-1)

BSPP (Form B DIN 3852-2)



part number	Dimension				Working Pressure (bar)
	T	B	L	E	
<b>RDCB-10M</b>	M 10x1	9	44	17	400
<b>RDCB-12M</b>	M12x1,5	12	47	17	630
<b>RDCB-14M</b>	M14x1,5	12	47	19	630
<b>RDCB-16M</b>	M16x1,5	12	47	22	630
<b>RDCB-02G</b>	1/8" BSP	8	43	17	400
<b>RDCB-04G</b>	1/4" BSP	12	49	19	630
<b>RDCB-06G</b>	3/8" BSP	14	51	22	630

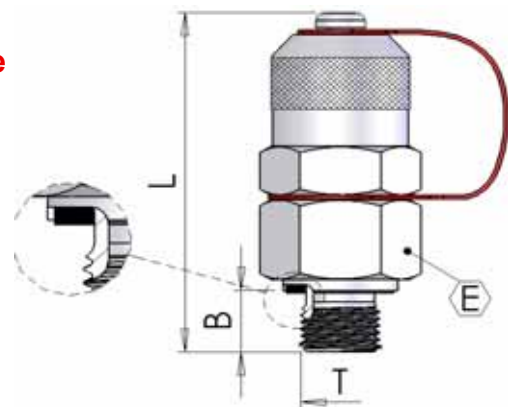
## RDCC **Адаптер метрика/BSPP эластомерное уплотнительное кольцо**

Check coupling - Male (metric/BSPP) with elastomeric sealing

### Резьба / Thread:

Metric (ISO 9974-2)

BSPP (ISO 1179-2)

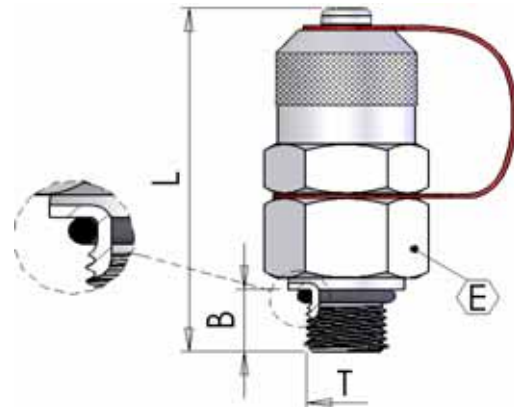


part number	Dimension				Working Pressure (bar)
	T	B	L	E	
<b>RDCC-10M</b>	M 10x1	8	45	17	630
<b>RDCC-12M</b>	M12x1,5	10	47	17	630
<b>RDCC-14M</b>	M14x1,5	12	49	19	630
<b>RDCC-16M</b>	M16x1,5	12	49	22	630
<b>RDCC-02G</b>	1/8" BSP	8	45	17	630
<b>RDCC-04G</b>	1/4" BSP	12	49	19	630
<b>RDCC-06G</b>	3/8" BSP	14	52	22	630
<b>RDCC-08G</b>	1/2" BSP	15	63	27	630

RDCA  
RDCE

### Адаптер UNF/метрика

Check coupling - UNF / Metric



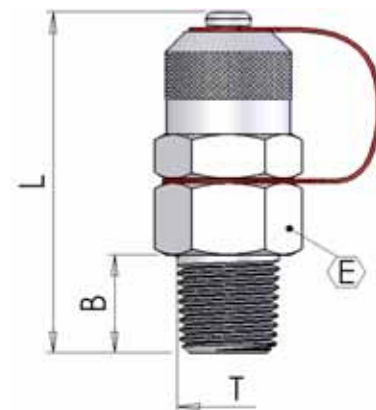
**Резьба / Thread:**  
Metric (ISO 6149-2/3)  
UNF (ISO 11926-2/3)

part number	Dimension				Working Pressure (bar)
	T	B	L	E	
RDCA-08M	M 8x1,00	9	45,5	17	250
RDCA-10M	M10x1,00	9	45,7	17	630
RDCA-11M	M10x1,25	9	46	17	630
RDCA-14M	M14x1,50	10	45	19	630
RDCE-04U	7/16"-20 UNF	9	44	17	630
RDCE-05U	1/2"-20 UNF	10	45	17	630
RDCE-06U	9/16"-18 UNF	10	45	19	630
RDCE-08U	3/4"-16 UNF	14	51	22	630

RDCD

### Адаптер BSPT / NPTF

Check coupling -Male BSPT / NPTF

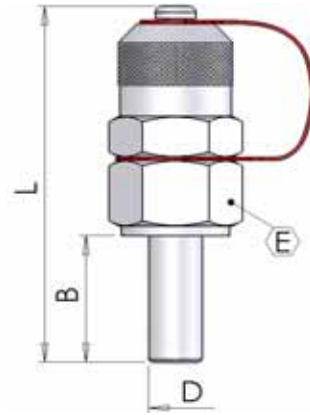


**Резьба / Thread:**  
BSPT (ISO 7)  
NPTF (ANSI/ASME B 1.20.3-1976)

part number	Dimension				Working Pressure (bar)
	T	B	L	E	
RDCD-02K	ISO 7/1 - 1/8"	10	45	17	400
RDCD-04K	ISO 7/1 - 1/4"	12	47	17	630
RDCD-06K	ISO 7/1 - 3/8"	14	49	22	630
RDCD-02N	1/8"-27 NPTF	10	49	17	400
RDCD-04N	1/4"-18 NPTF	14	49	17	630
RDCD-06N	3/8"-18 NPTF	16	51	22	630

## RDC0 **Адаптер, трубка метрическая**

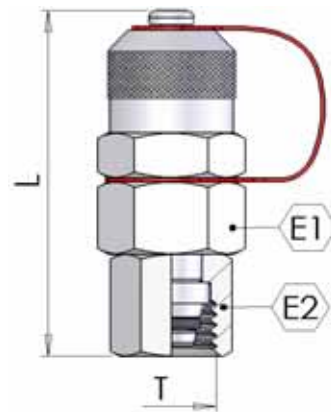
Check coupling - Stanpipe



part number	Dimension					WP (bar)
	type	D	B	L	E	L / S
RDC0-06LS	L/S	6	20	56	17	315 / 630
RDC0-08LS	L/S	8	20	56	17	315 / 630
RDC0-10LS	L/S	10	20	56	17	315 / 630
RDC0-12LS	L/S	12	20	56	17	315 / 630
RDC0-14S	S	14	20	56	17	- / 630
RDC0-15L	L	15	20	56	17	315 / -
RDC0-16S	S	16	20	56	17	- / 400

## RDCF **Адаптер 24° DKOL - DIN 3865**

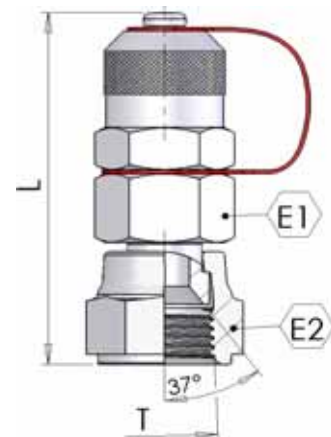
Check oupling with 24° O-Ring sealing cone DKOL type - DIN 3865



part number	Dimension						WP (bar)
	type	erm.	T	L	E1	E2	
RDCF-12ML	L	6	M12x1,5	54	17	14	315
RDCF-14ML		8	M14x1,5	54	17	17	315
RDCF-16ML		10	M16x1,5	59	17	19	315
RDCF-18ML		12	M18x1,5	59	17	22	315
RDCF-22ML		15	M22x1,5	59	17	27	160
RDCF-26ML		18	M26x1,5	59	17	32	160
RDCF-30ML		22	M30x2,0	59	17	36	160
RDCF-36ML		28	M36x2,0	60	17	41	160
RDCF-45ML		35	M45x2,0	62	17	50	160
RDCF-52ML		42	M52x2,0	65	17	60	160
RDCF-14MS	S	6	M14x1,5	54	17	17	630
RDCF-16MS		8	M16x1,5	54	17	19	630
RDCF-18MS		10	M18x1,5	59	17	22	630
RDCF-20MS		12	M20x1,5	59	17	24	630
RDCF-22MS		14	M22x1,5	59	17	27	630
RDCF-24MS		16	M24x1,5	60	17	30	400
RDCF-30MS		20	M30x2,0	62	17	36	400
RDCF-36MS		25	M36x2,0	65	17	46	400
RDCF-42MS		20	M42x2,0	65	17	50	400
RDCF-52MS		38	M52x2,0	65	17	60	315

## RDCF **Адаптер накидная гайка JIC**

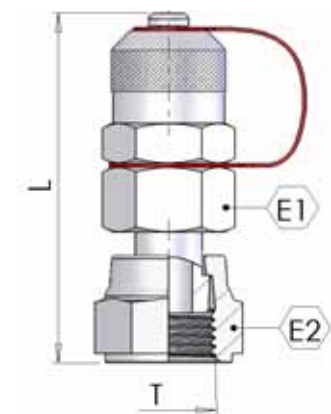
*JIC Female swivel check coupling*



part number	Dimension				Working Pressure (bar)
	T	L	E1	E2	
<b>RDCF-04J</b>	7/16"-20 UNF	64	17	14	630
<b>RDCF-05J</b>	1/2"-20 UNF	65	17	17	400
<b>RDCF-06J</b>	9/16"-18 UNF	67	17	19	315
<b>RDCF-08J</b>	3/4"-16 UNF	70	17	22	315

## RDCF **Адаптер накидная гайка ORFS**

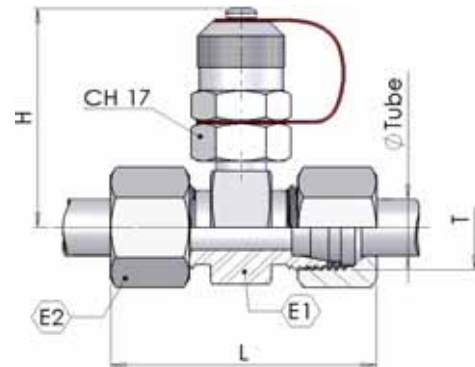
*O.R.F.S female swivel check coupling*



part number	Dimension				Working Pressure (bar)
	T	L	E1	E2	
<b>RDCF-06U</b>	9/16"-18 UNF	53	17	19	400
<b>RDCF-09U</b>	11/16"-16 UNF	54	17	22	400
<b>RDCF-11U</b>	13/16"-16 UNF	58	19	24	400

## RDCI Коннектор под трубку метрическую - DIN 2353

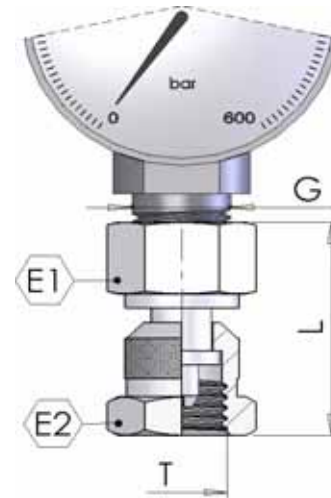
Straight Check coupling for metal pipe fitting - DIN 2353



part number	Dimension							WP (bar)	
	Serie	tube	T	H	L	E2	E1		
RDCI-06L	L	6	M12x1,5	49	51	14	24	315	
RDCI-08L		8	M14x1,5	49	51	17	24	315	
RDCI-10L		10	M16x1,5	49	53	19	24	315	
RDCI-12L		12	M18x1,5	49	53	22	24	315	
RDCI-15L		15	M22x1,5	50,5	55	27	27	160	
RDCI-18L		18	M26x1,5	53	57	32	32	160	
RDCI-22L		22	M30x2	53	61	36	32	160	
RDCI-28L		28	M36x2	57,5	61	41	41	160	
RDCI-35L		35	M42x2	60	69	50	46	160	
RDCI-42L		42	M52x2	64,5	71	60	55	160	
RDCI-06S		S	6	M14x1,5	49	55	17	24	630
RDCI-08S			8	M16x1,5	49	55	19	24	630
RDCI-10S	10		M18x1,5	49	57	22	24	630	
RDCI-12S	12		M20x1,5	49	57	24	24	630	
RDCI-14S	14		M22x1,5	49	63	27	24	630	
RDCI-16S	16		M24x1,5	52	63	30	27	400	
RDCI-20S	20		M30x2	53	69	36	32	400	
RDCI-25S	25		M36x2	57,5	75	46	41	400	
RDCI-20S42	20		M42x2	60	81	50	46	400	
RDCI-38S	38		M52x2	64,5	89	60	55	315	

## PGA0 **Адаптер под манометр, накидная гайка**

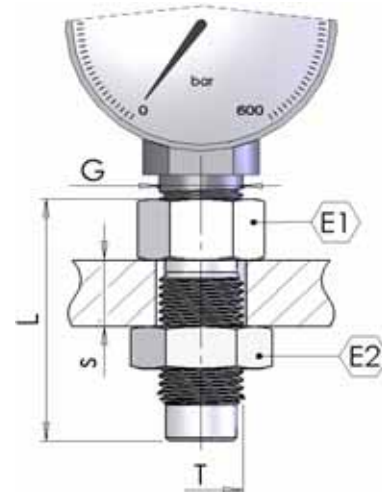
*Direct pressure gauge connection*



part number	Dimension					Working Pressure (bar)
	T	G	L	E1	E2	
<b>PGA0-04</b>	M16x2	1/4" BSP	50	19	19	630
<b>PGA0-08</b>	M16x2	1/2" BSP	55	27	19	630

## PGAP **Адаптер измерительный под манометр, переборочный**

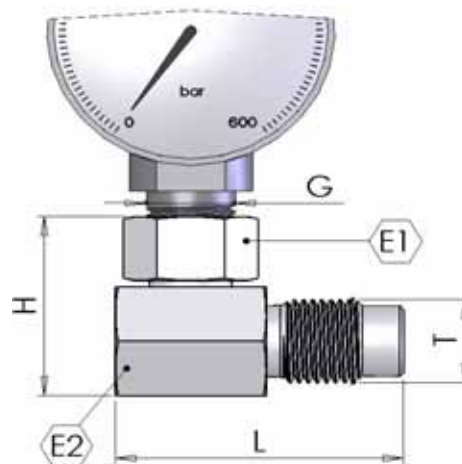
*Bulkhead pressure gauge connection*



part number	Dimension						WP (bar)
	T	G	L	E1	E2	S (max)	
<b>PGAP-04</b>	M16x2	1/4" BSP	50	19	19	11	630
<b>PGAP-08</b>	M16x2	1/2" BSP	57	27	19	13	630

**PGA9** **Адаптер измерительный под манометр 90°, накидная гайка**

90° Swivel pressure gauge connection



part number	Dimension						WP (bar)
	T	G	H	L	E1	E2	
<b>PGA9-04</b>	M16x2	1/4" BSP	36	42	19	19	630
<b>PGA9-08</b>	M16x2	1/2" BSP	43	42	27	19	630

